

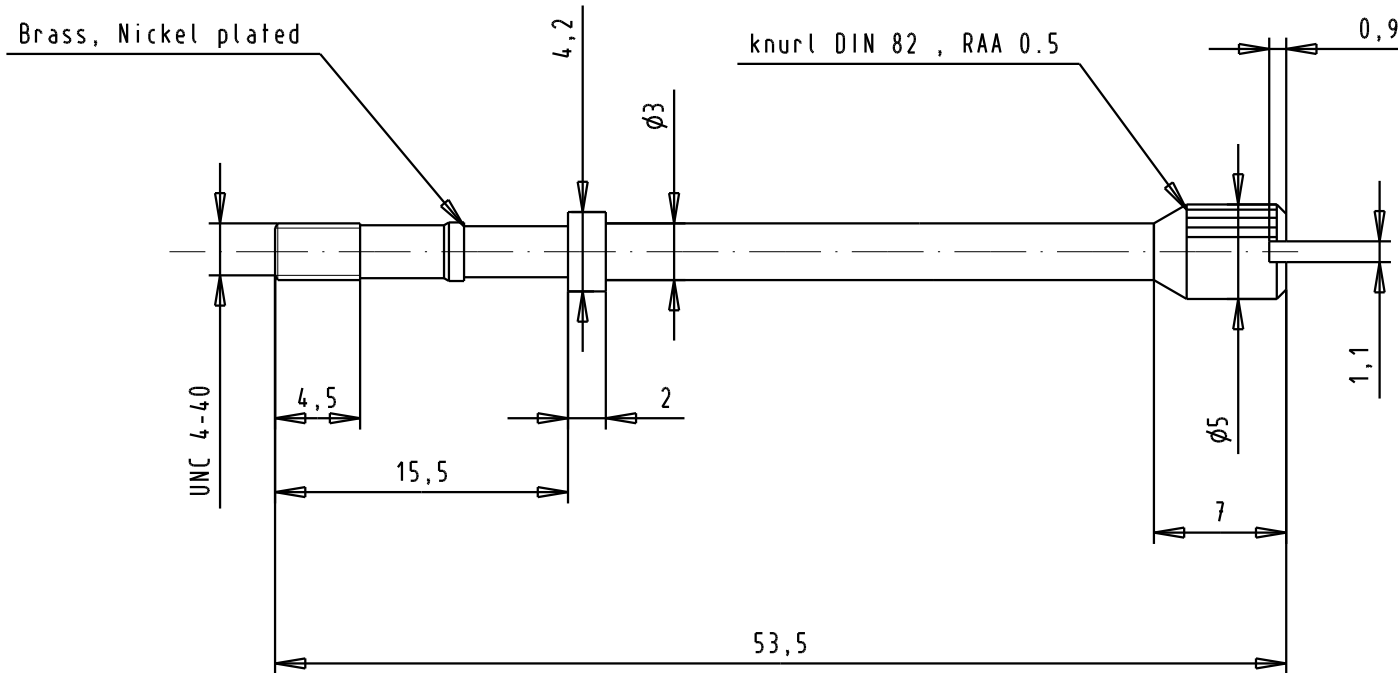
5



4

3

2

1



| | | | | | | | | |
|-------|----------|------|-------------------------------------|----------|------|---|-----------------------------------|-------------------|
| | | | | Dat. | Name |  All Dim. in mm Orig. Size DIN A 4 | Knurled locking screw UNC 4-40 | Moßstab/ Scale |
| | | | Detail. | 07/01/04 | S.H. | | | 2.5:1 |
| | | | Insp. | | | | | |
| | | | Stand. | | | | | |
| | | | | | |  | TB 09 67 002 9010 | Blatt/ Page |
| 31587 | 07/01/04 | S.H. | HARTING ELEKTRONIK F-95972 Paris | | | | | Sub. |
| Mod. | Dat. | Name | | | | | | |