



Nextion Enhanced NX3224K024 - Generic 2.4" HMI Touch Display

SKU 104060028

Description

The Nextion Enhanced versions are more powerful than the standard ones. Compare to the basic Nextion displays, the enhanced ones have added some new functions, such as: supporting built-in RTC, supporting save data to Flash, supporting GPIO, larger flash capacity and larger CPU clock. The enhanced Nextion series has 7 size covers from generic 2.4" to 7.0".

Nextion Enhanced NX3224K024 is a powerful 2.4" HMI TFT display, with 16MB Flash data storage space, 1024 bytes EEPROM, larger RAM of 3584 bytes. With GPIO supported, now customers can use Nextion to control external devices.

Nextion is a Seamless Human Machine Interface (HMI) solution that provides a control and visualisation interface between a human and a process, machine, application or appliance. Nextion is mainly applied to Internet of thing (IoT) or consumer electronics field. It is the best solution to replace the traditional LCD and LED Nixie tube.

Nextion includes a hardware part (a series of TFT boards) and a software part (the Nextion editor). The Nextion TFT board uses only one serial port to communicate. It lets users avoid the hassle of wiring. We noticed that most engineers spend much time in application development but get unsatisfactory results. As a solution to this situation, Nextion editor has mass components such as button, text, progress bar, slider, instrument panel etc. to enrich the interface design. And the drag-and-drop function ensures that users spend less time in programming, which will reduce 99% of your development workloads. With the help of this WYSIWYG editor, designing a GUI is a piece of cake. It's easy to adapt Nextion family HMI to existing projects- users just need to provide it a UART.

Note: there's a small power supply test board and a wire for you to test if the electricity supply is enough or not. Please see below image on how to use it.

Caution:

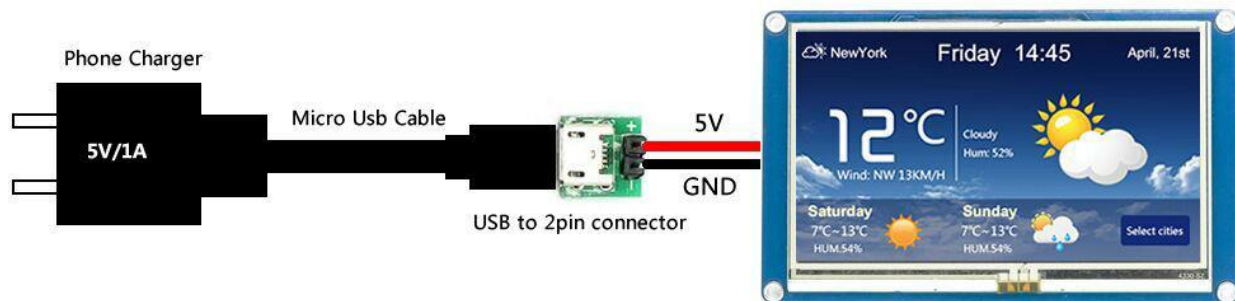
Working under insufficient power supply condition will damage the Nextion model easily.



Blurred screen? Flashing? You may be suffering from power shortages. Power off at the first possible moment. No more repeated attempts to damage your Nextion model.

A small connector is included in the package. Please try to power Nextion with your phone charger through the connector to check if Nextion works well.

A high quality usb cable is required.



Nextion User Manual: <http://goo.gl/LbvAJ5>

Features

- Supports built-in RTC
- Supports GPIO
- SD Card interface: support max max 32G Micro TF/SD card (FAT32 file format)
- Flash data storage space: 16MB
- EEPROM: 1024 bytes
- RAM: 3584 bytes
- Instruction buffer: 1024 bytes
- Color: 65K (65536) colors
- Resolution: 320×240 pixel
- Adjustable Brightness: 0~180 nit - the interval of adjustment is 1%

Specification

- Visual Area:48.96mm(L)×36.72mm(W)
- Layout size: 74.4(L)×42.72(W)×5.8(H)
- Touch type: Resistive
- Backlight: LED
- Backlight lifetime (Average): >30,000 Hours
- Net Weight: 25.8 g
- Recommended power supply: 5V 500mA DC
- Certificates: CE/EMC, RoHS (certificates)

Technical support

For technical support, please open a ticket on Nextion Forum.

Technical Details

Dimensions	48.96mm x 36.72mm x 25mm
Weight	G.W 60g N.W 25.8g
Battery	Exclude
Discontinued	No
Link Wiki	No
Display Resolution	320 * 240

Display Interface	Serial
Screen Type	Touch Screen
Display Controller	No
TFT display interface	N/A
Display Size	2.4"
Board Size	74.4mm*42.72mm
Expand	SD Card Socket; Touch Screen
Weight	62 g

Part List

2.4"Nextion Enhanced HMI Display	1
power supply test board	1
4-pin grove cable	1

