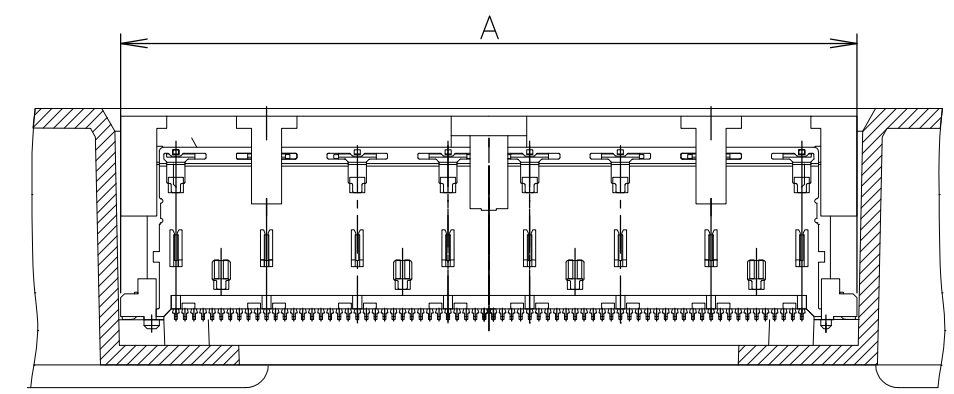
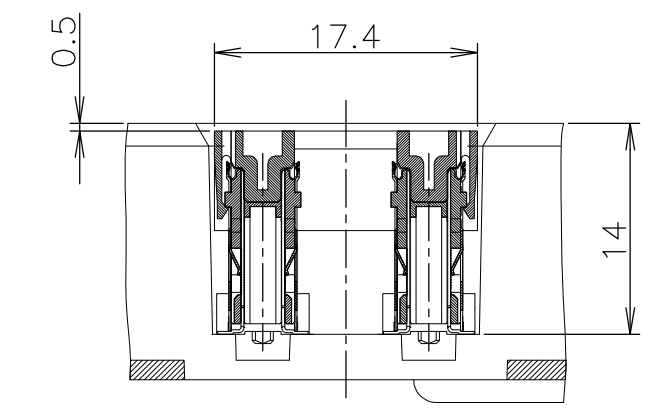
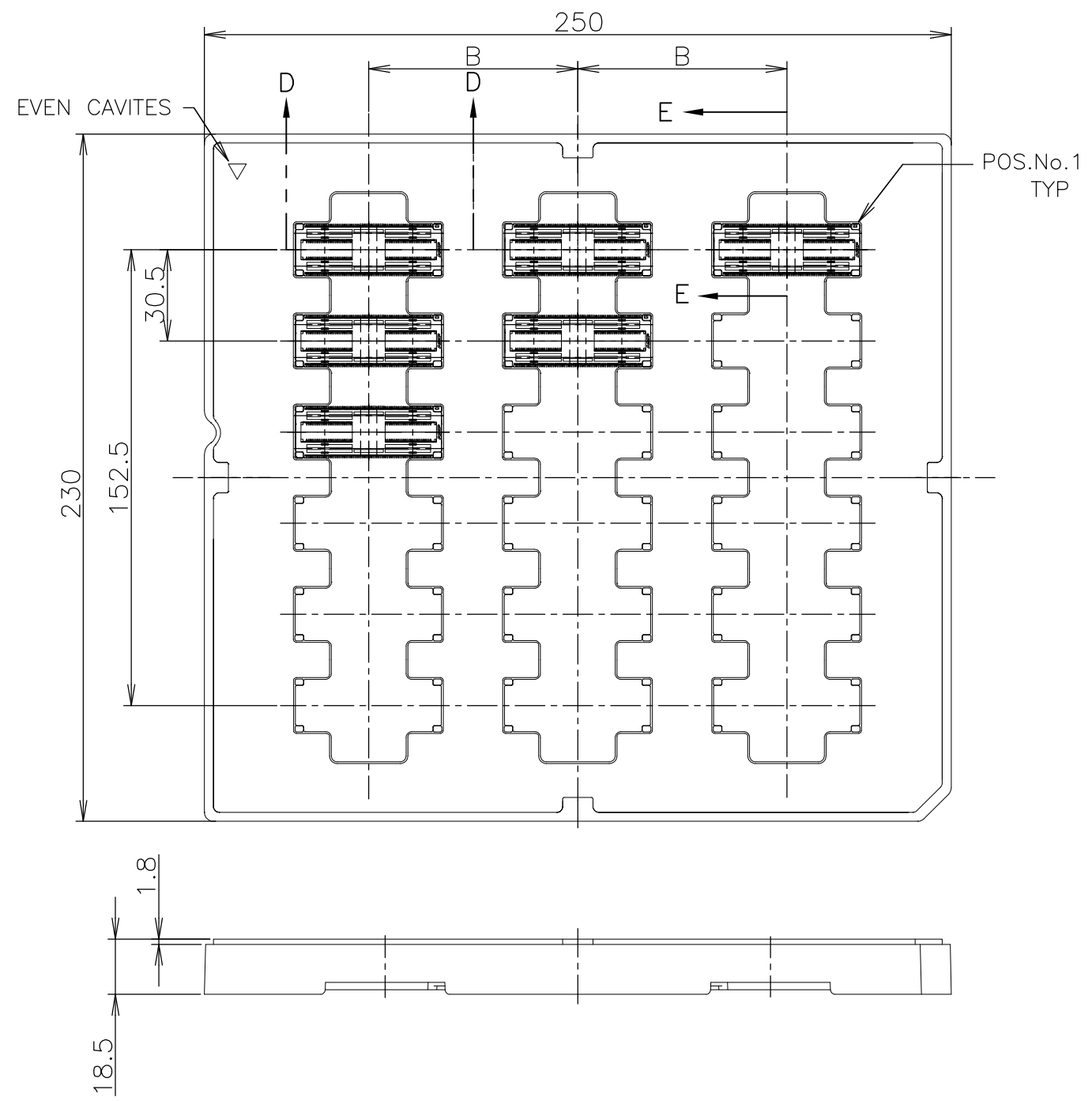


THIS DRAWING IS UNPUBLISHED. RELEASED FOR PUBLICATION JUL ,1997.
 © COPYRIGHT 1997 By - ALL RIGHTS RESERVED.

LOC	DIST	REVISIONS			DATE	DWN	APVD
J		P	LTR	DESCRIPTION			
		B		REVISED ECR-11-019335	20SEP2011	I.T	C.W



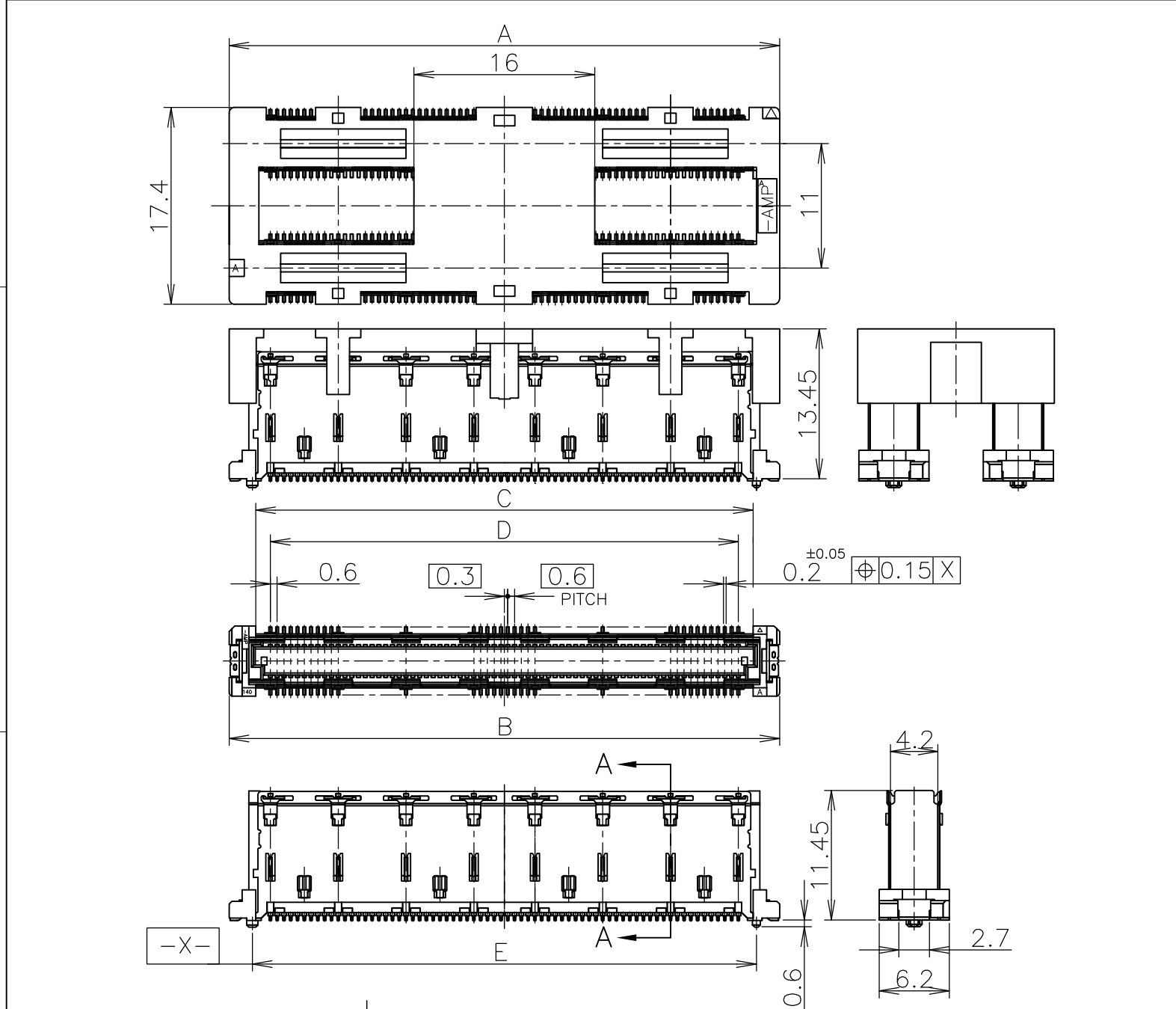
NON	AVAILABLE	△4	3	18	70	48.7	280	2-912071-1	2-6123098-0
NON	NOT AVAILABLE	△2	3	18	70	48.7	280	2-912071-1	1-6123098-0
SEALANT	TOOLING STATUS	FINISH	ROW	QTY	B	A	POS.	TRAY P/N	PART NO.

THIS DRAWING IS A CONTROLLED DOCUMENT.

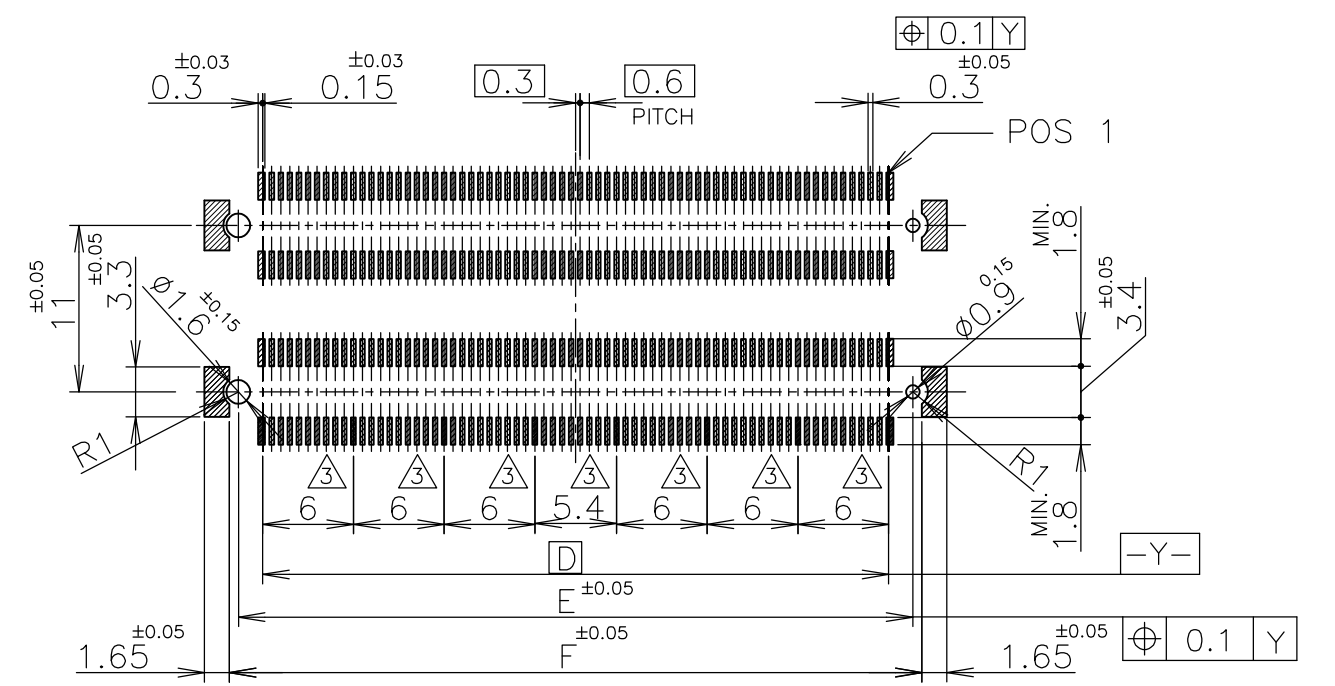
DWN HAWKING HE 13DEC04	 TE Connectivity	NAME I.ENOMOTO 製品規格 108-60047 取付適用規格 114-5255	RESTRICTED TO B
CHK STEVEN YAO 13DEC04			
APVD I.ENOMOTO 13DEC04			
PRODUCT SPEC			
APPLICATION SPEC	SIZE A3	CAGE CODE 00779	DRAWING NO. C-6123098
MATERIAL	WEIGHT	SCALE 1:2 SHEET 1 OF 2 REV B	
DIMENSIONS: 単位: 耗 mm TOLERANCES UNLESS OTHERWISE SPECIFIED: 一般公差 0 PLC ±- 1 PLC ±- 2 PLC ±- 3 PLC ±- 4 PLC ±- ANGLES ±-		GENERAL TOLERANCE 一般公差 10 ≥ ±0.2 30 ≥ >10: ±0.25 100 ≥ >30: ±0.3 ANGLES: ±3°	

CUSTOMER DRAWING

THIS DRAWING IS UNPUBLISHED. RELEASED FOR PUBLICATION JUL ,1997.
 ALL RIGHTS RESERVED.



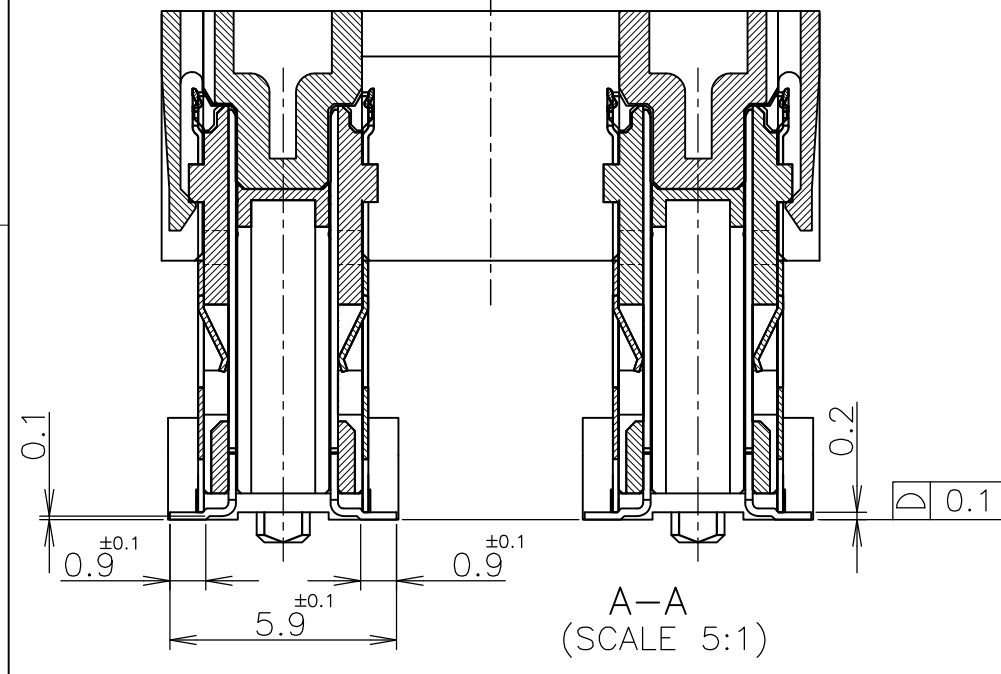
LOC	DIST	REVISIONS			DATE	DWN	APVD
J		P	LTR	DESCRIPTION			
		-		SEE SHEET 1	-	-	-



REFERENCE P.C. BOARD LAYOUT

- ① MATERIAL ; HOUSING : HIGH TEMP THERMO PLASTIC UL94V-0
CONTACT : COPPER ALLOY
- ② FINISH ; UNDER PL Ni 0.0013mm MIN ALL OVER.
CONTACT AREA 0.0002 MIN Au PL.
SOLDERING AREA 0.001 MIN TIN PL.
- ③ THIS POSITION IS GROUND CIRCUIT.
- ④ FINISH ; UNDER PL Ni 0.0013mm MIN ALL OVER.
CONTACT AREA 0.00076 MIN Au PL.
SOLDERING AREA 0.001 MIN TIN PL.

45.8	44.6	41.4	44	48.7	48.7	280	1-1123097-0
F	E	D	C	B	A	POS	CAP P/N



GENERAL TOLERANCE
 一般公差
 10 ≥ ±0.2
 30 ≥ >10: ±0.25
 100 ≥ >30: ±0.3
 ANGLES: ±3°

THIS DRAWING IS A CONTROLLED DOCUMENT.

DIMENSIONS: 单位: 耗 mm

TOLERANCES UNLESS OTHERWISE SPECIFIED: 一般公差

0 PLC ±
 1 PLC ±
 2 PLC ±
 3 PLC ±
 4 PLC ±
 ANGLES ±

FINISH 仕上

MATERIAL 材料

STE TE Connectivity

HARD TRAY ASSY
 FH 0.6BTB CONNECTOR
 PLUG 12H W/G-PLATE 2ROW TYPE

SIZE A3 CAGE CODE 00779 DRAWING NO. C-6123098

CUSTOMER DRAWING

SCALE 2:1 SHEET 2 OF 2 REV B