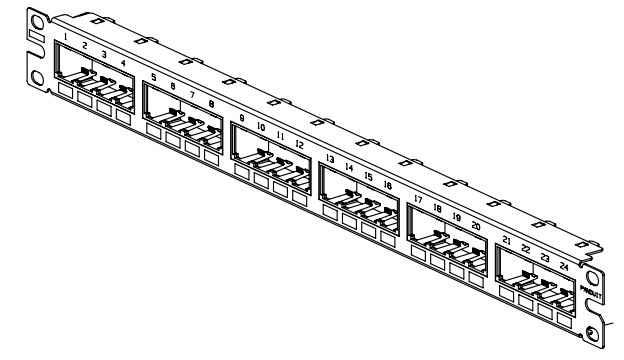
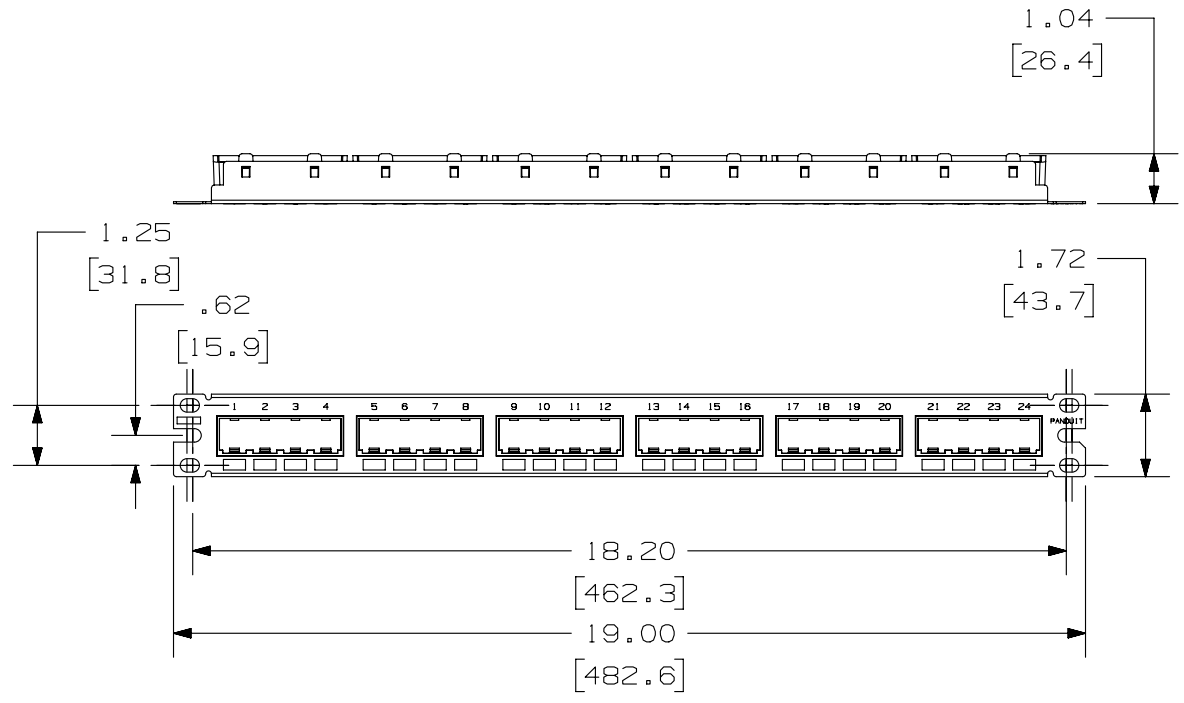


THIS COPY IS PROVIDED ON A RESTRICTED BASIS AND IS NOT TO BE USED IN ANY WAY DETRIMENTAL TO THE INTERESTS OF PANDUIT CORP.

PANDUIT P/N	WEIGHT
CPP24FMWBLY	7.30 LB/10 PCS (3312.6 g/10 PCS)

- NOTES:
- SEE CURRENT CATALOG FOR VARIOUS APPLICATIONS WITH THIS WIRING SYSTEM.
  - THE FLUSH MOUNT PATCH PANEL IS DESIGNED FOR MOUNTING TO 19" UNIVERSAL RACKS.
  - PACKAGE CONTENTS:
    - (1) -24 PORT STAMPING
    - (6) -4 POSITION FACEPLATE (ASSEMBLED TO PANEL)
    - (1) -SCREW KIT (INCLUDES FOUR #12-24 SCREWS)
    - (1) -SCREW KIT (INCLUDES FOUR M6 SCREWS)
  - DIMENSIONS IN [ ] ARE IN METRIC.



PART NUMBER		CPP24FMWBLY	
TITLE		MINI-COM 24 PORT FLUSH MOUNT MODULAR PATCH PANEL	
		CUSTOMER DRAWING	
ITEM REVISION NAME		M02479CU/02	
DATASET FILE NAME		M02479CU_DC74/00B	
UNLESS OTHERWISE SPECIFIED, DIMENSIONAL TOLERANCES ARE: IN [mm]		MATERIAL:	
.x ± .xxx ± .010 [ .3 ]		PANEL: 20 GAGE C.R.S.	
.xx ± .03 [ .8 ]		FACEPLATE: ABS	
THIRD ANGLE PROJECTION		DRAWING NUMBER:	
		02479-074	
DRAWN BY	DATE	CHK	SCALE
JSP	3-11-06	MJD	NONE
SHT 1 OF 1		A	

REV	DATE	BY	CHK	APR	DESCRIPTION	ECN
1	5/7/14	JSP	REFR	MMR	A. REVISED DRAWING TITLE BLOCK.	02479-074
R	3-11-06	JSP	MJD	MJD	RELEASED TO PRODUCTION	02479-074

D10100DA/14