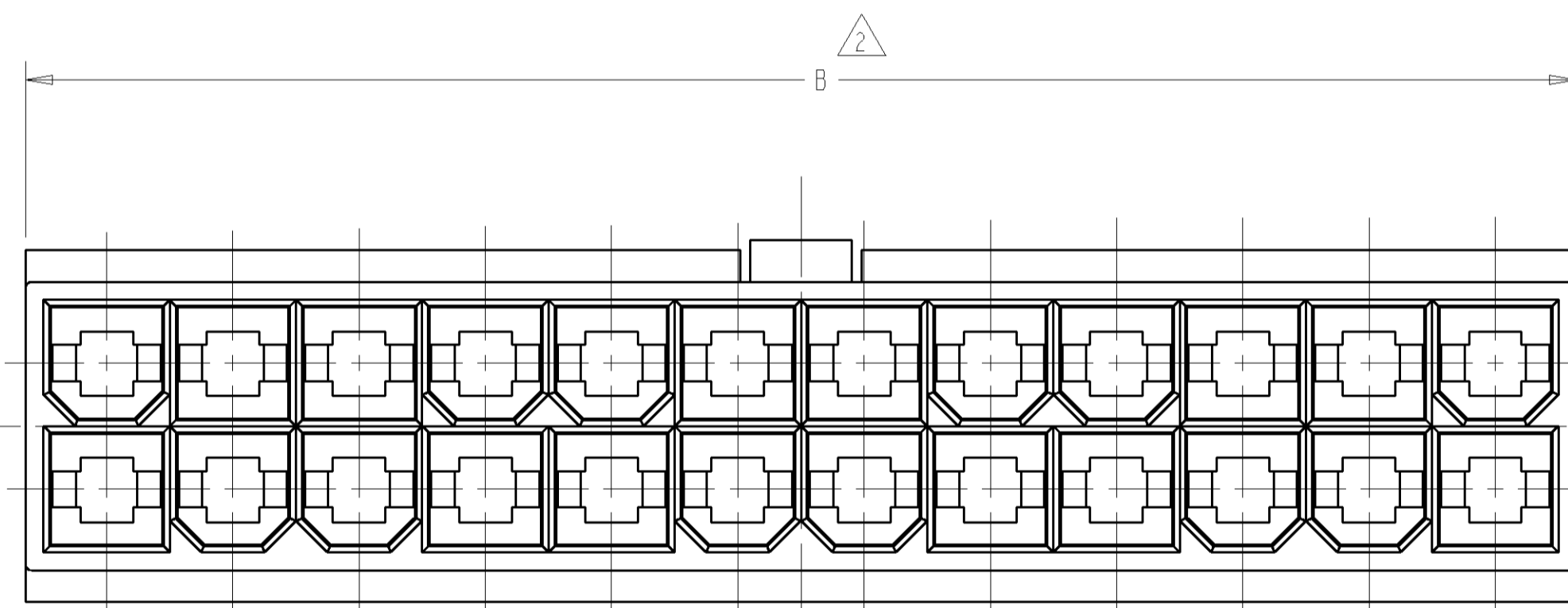
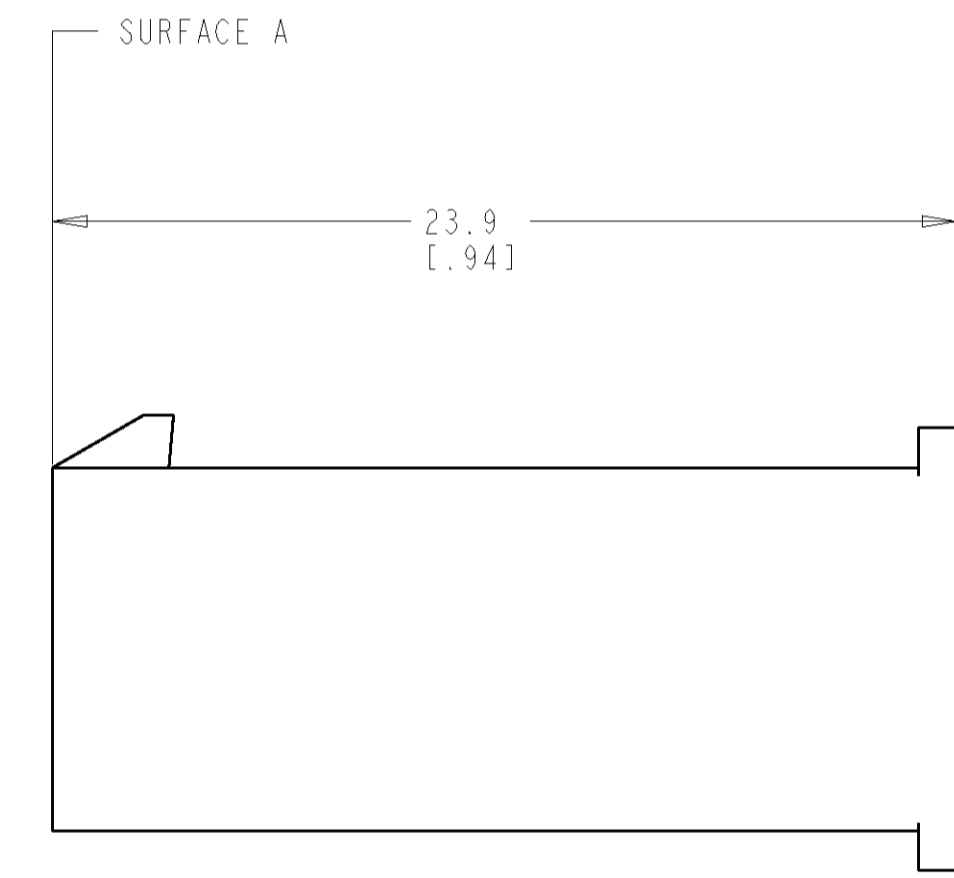


PA66

- 1. NYLON, UL94V-2, NATURAL.
- 2. DIMENSION TO BE CHECKED AT SURFACE A.
- 3. DIMENSIONS IN BRACKETS ARE IN INCHES.
- 4. MALE CONTACTS MUST BE INSERTED SO THAT THE TOP OF THE WIRE AND INSULATION CRIMPS ARE FACING THE SIDE OF THE HOUSING WITH THE LOCKING LATCH.

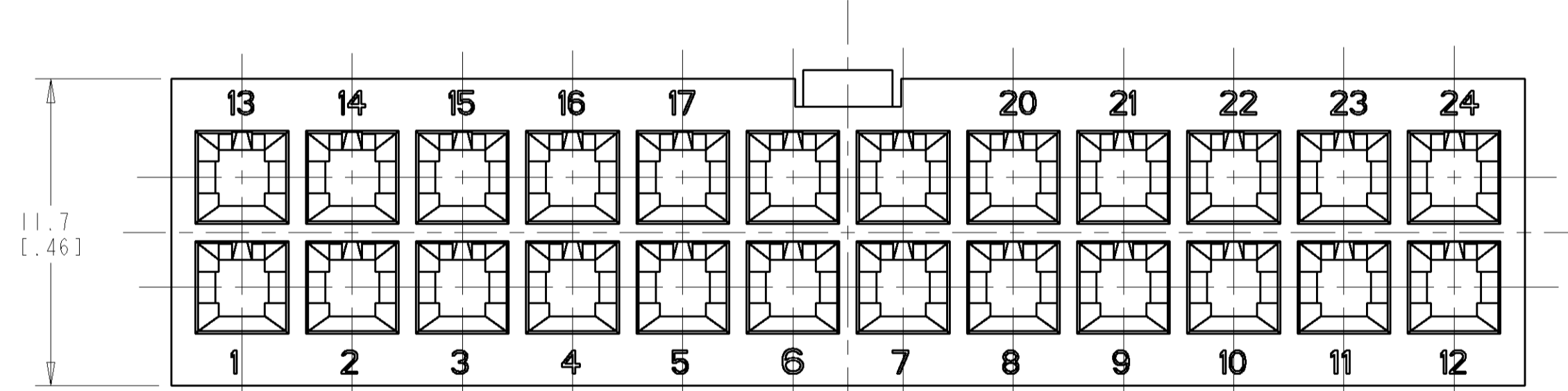


9.6  
[.38]

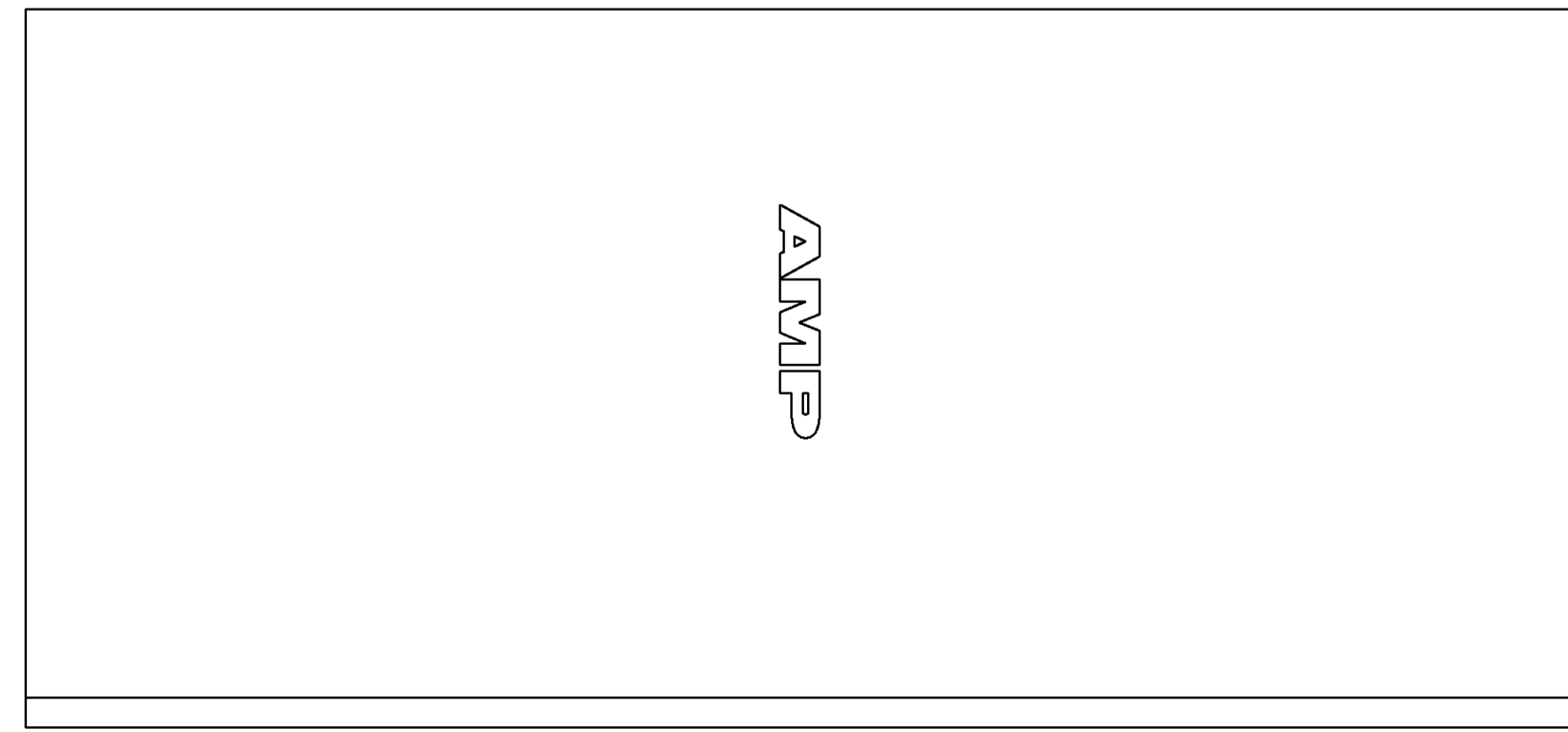


SURFACE A

23.9  
[.94]



11.7  
[.46]



AMP

B	NO. OF POSITIONS	PART NUMBER
51.6[2.032]	24	2-794542-4
47.4[1.866]	22	2-794542-2
43.2[1.701]	20	2-794542-0
39[1.535]	18	1-794542-8
34.8[1.370]	16	1-794542-6
30.6[1.205]	14	1-794542-4
26.4[1.039]	12	1-794542-2
22.2[.874]	10	1-794542-0
18[.709]	8	794542-8
13.8[.543]	6	794542-6
9.6[.378]	4	794542-4
5.4[.213]	2	794542-2

METRIC

DIMENSIONS: mm [ INCHES ] TOLERANCES UNLESS OTHERWISE SPECIFIED: 0 PLC ± 1 PLC ±0.2(.01) 2 PLC ± 3 PLC ± 4 PLC ± ANGLES ± FINISH		DWN R. VESTAL 16MAR99 CHK R. SWING 16MAR99 APVD C. CASH 16MAR99 PRODUCT SPEC APPLICATION SPEC WEIGHT CUSTOMER DRAWING	NAME PLUG, FREE HANGING, 2 TO 24 POSITION, AMP-DUACT™ POWER CONNECTOR SIZE CAGE CODE DRAWING NO. RESTRICTED TO A 00779 C=794542 SCALE 4:1 SHEET 1 OF 1 REV P
--	--	---	--

TE Connectivity