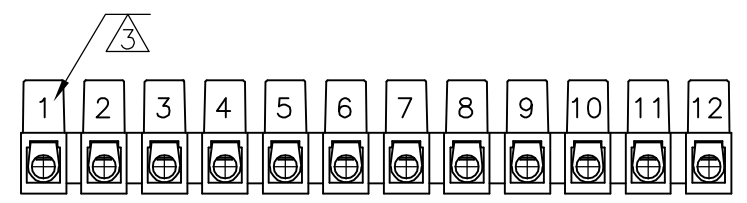
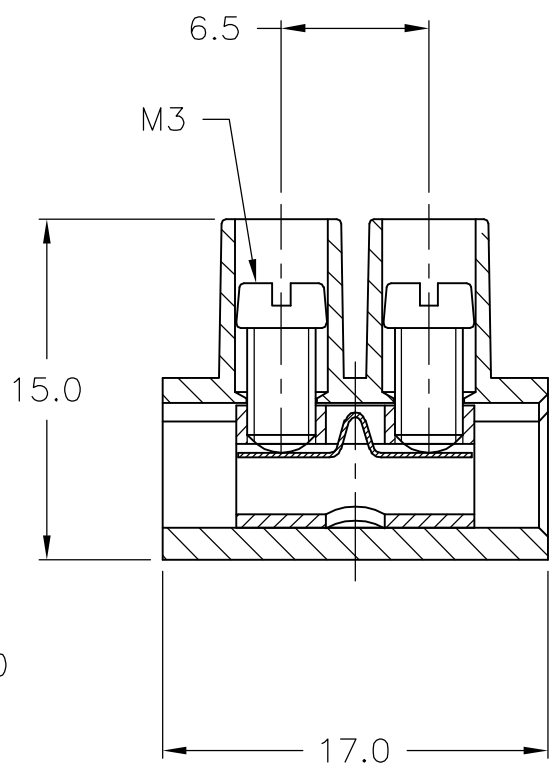
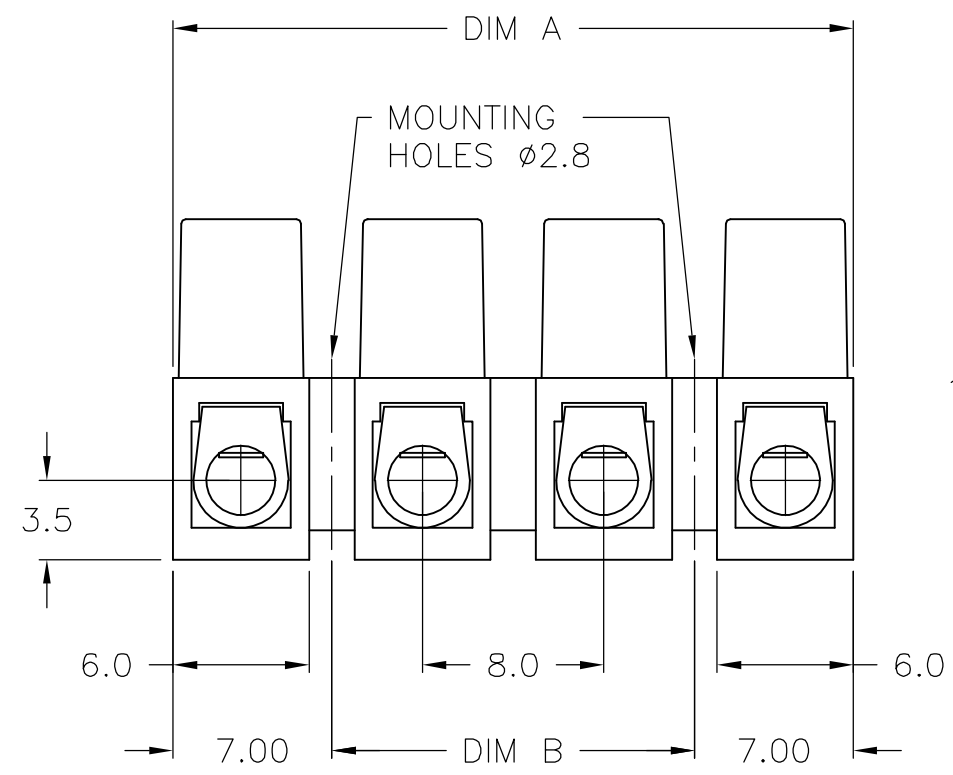


THIS DRAWING IS UNPUBLISHED. RELEASED FOR PUBLICATION
 © COPYRIGHT BY TYCO ELECTRONICS CORPORATION. ALL RIGHTS RESERVED.

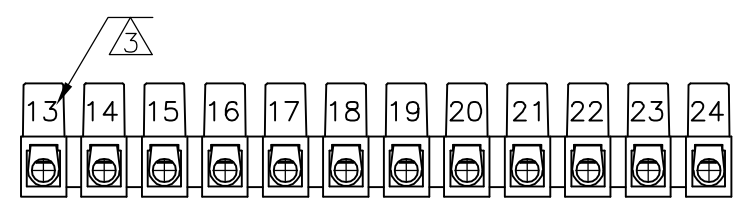
LOC	DIST	REVISIONS					
FT	0	P	LTR	DESCRIPTION	DATE	DWN	APVD
			D1	REVISED PER ECO-06-24176	10/18/06	SS	CR

NOTES:

- MATERIAL:
 HOUSING - POLYIMIDE 6 UL94V-2
 COLOR - NATURAL (OFF WHITE)
 TUBULAR CONTACT: BRASS TIN PLATED
 SCREW: STEEL M3 ZINC W/ CHROMATE
 WIRE PROTECTOR: STAINLESS STEEL
 - CURRENT RATING: 30A, 250V
 12-26 AWG
- ⚠ INK STAMPED, BLACK PERMANENT INK.
 ⚠ PRELIMINARY PART NUMBER.



796753-3



796753-4

⚠	80.0	94.0	12	-	796753-4
⚠	80.0	94.0	12	-	796753-3
	80.0	94.0	12	TSB23012DS	1437388-3
	72.0	86.0	11	TSB23011DS	1437388-1
	64.0	78.0	10	TSB23010DS	9-1437387-9
	56.0	70.0	9	TSB23009DS	9-1437387-8
	48.0	62.0	8	TSB23008DS	9-1437387-6
	40.0	54.0	7	TSB23007DS	9-1437387-4
	32.0	46.0	6	TSB23006DS	9-1437387-3
	24.0	38.0	5	TSB23005DS	9-1437387-1
	16.0	30.0	4	TSB23004DS	8-1437387-9
	8.0	22.0	3	TSB23003DS	8-1437387-7
	-	14.0	2	TSB23002DS	8-1437387-5
	-	6.0	1	TSB23001DS	796753-1
	DIM B	DIM A	NO. POSN	CATALOG NUMBER	TYCO NUMBER

THIS DRAWING IS A CONTROLLED DOCUMENT.

DIMENSIONS: MM	TOLERANCES UNLESS OTHERWISE SPECIFIED:	DWN: S SCHLEGEL 12/2/02	BUCHANAN Tyco Electronics Corporation Harrisburg, PA 17105 NOT THE LATEST REVISION
		CHK: C RICHARD 12/2/02	
		APVD: C RICHARD 12/2/02	
		PRODUCT SPEC	
		APPLICATION SPEC	NAME: EUROPA TERMINAL BLOCK W/WIRE PROTECTOR MOUNTING HOLES 2.8 DIA., 8.0mm PITCH
		WEIGHT: -	SIZE: A3 CAGE CODE: 00779 DRAWING NO: C-8-1437387-5 RESTRICTED TO: -
MATERIAL: -	FINISH: -	CUSTOMER DRAWING	SCALE: 3:1 SHEET: 1 OF 1 REV: D1