


SACB- 8/3-L-M16-M8

Order No.: 1516205

<http://eshop.phoenixcontact.de/phoenix/treeViewClick.do?UID=1516205>

Sensor/actuator box, M8 socket, Number of slots: 8, Number of positions: 3, Slot assignment: Single, Status indication: Yes, pnp 90°, Shielding: No

Commercial data

| | |
|--------------------------|--------------------------------------------------------------------------------------------------------|
| GTIN (EAN) |  4 017918 967130 |
| sales group | D102 |
| Pack | 1 pcs. |
| Customs tariff | 85366990 |
| Catalog page information | Page 112 (PC-2009) |

Product notes

WEEE/RoHS-compliant since:
02/09/2006



<http://www.download.phoenixcontact.com>
Please note that the data given here has been taken from the online catalog. For comprehensive information and data, please refer to the user documentation. The General Terms and Conditions of Use apply to Internet downloads.

Technical data**General data**

| | |
|------------------------------------------|---------|
| Rated voltage | 24 V DC |
| Max. operating voltage U_{max} | 30 V DC |
| Current carrying capacity per I/O signal | 2 A |
| Current carrying capacity per slot | 2 A |

| | |
|------------------------------------|------------------|
| Total rated current | 6 A |
| Number of positions | 3 |
| Number of slots | 8 |
| Degree of protection | IP65/IP67 |
| Inflammability class acc. to UL 94 | V0 |
| Ambient temperature (operation) | -30 °C ... 80 °C |
| Sensor/actuator connection system | M8 socket |

Local diagnostics function

| | |
|-------------------|-------------------------------------|
| Local diagnostics | Supply voltage per module Green LED |
| | Status display I/O Yellow LED |

Master cable data

| | |
|----------------------------------------------------|---------------------|
| Type of connection | M16 plug connection |
| Tightening torque - master cable - plug connection | 1.5 Nm |
| Tightening torque slot sensor/actuator cable | 0.2 Nm |
| Tightening torque screw plug | 0.2 Nm |

Insulation material

| | |
|----------------------------------------|---------------|
| Housing material | PBT |
| Material of the moulding mass | PUR |
| Contact material | CuSn |
| Contact surface material | Ni/Au |
| Contact carrier material | PA |
| Material of contact, master cable side | CU alloy |
| Material of threaded sleeve | Cu alloy |
| Material of threaded sleeve surface | Nickel-plated |
| Material, O-ring | NBR |

Pin assignment

| | |
|------------------------------------------|---------------|
| Slot/position = Wire color or connection | 1 / 4 (A) = P |
|------------------------------------------|---------------|

| | |
|--|------------------------|
| | 2 / 4 (A) = J |
| | 3 / 4 (A) = T |
| | 4 / 4 (A) = S |
| | 5 / 4 (A) = G |
| | 6 / 4 (A) = R |
| | 7 / 4 (A) = E |
| | 8 / 4 (A) = O |
| | 1-8 / 1 (+ 24 V) = A+M |
| | 1-8 / 3 (0 V) = L+U |

Certificates / Approvals



Certification

CUL, UL

Accessories

| Item | Designation | Description |
|----------------|------------------|----------------------------------------------------------------------------------------------------------------------------------|
| Marking | | |
| 0809984 | ZBF10:SO/CMS | Zack marker strip, flat, in 10 mm pitch, labeled according to customer specifications, 10-section, divisible, color: White |
| 0809997 | ZBF10:UNBEDRUCKT | Zack marker strip, flat, in 10 mm pitch, unprinted, 10-section, for individual labeling with M-PEN 0,8, X-PEN, or CMS-P1-PLOTTER |

Protection and sealing elements

| | | |
|---------|---------|---------------------------------------------------------------------------------------------------------------|
| 1682540 | PROT-M8 | An M8 screw plug for the unoccupied M8 sockets of the sensor/ actuator cable, boxes and flush-type connectors |
|---------|---------|---------------------------------------------------------------------------------------------------------------|

Socket

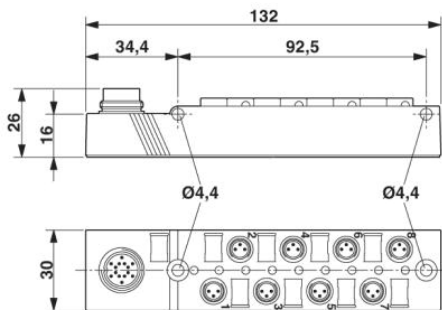
| | | |
|---------|------------------------|------------------------------------------------------------------------------------------------------------------------------|
| 1693720 | SAC-12P- 5,0-PUR/M16FR | Master cable, Number of slots: 8, Number of positions: 12, Status indication: No, PUR/PVC, Cable length: 5 m, Shielding: No |
| 1693733 | SAC-12P-10,0-PUR/M16FR | Master cable, Number of slots: 8, Number of positions: 12, Status indication: No, PUR/PVC, Cable length: 10 m, Shielding: No |
| 1500253 | SACC-M16FR-14CON-M | M16 socket, 14-pos., with solder connection, freely configurable, angled, for a 6.0 mm conductor diameter ... 8.0 mm |
| 1500554 | SACC-M16FS-14CON-M | M16 socket, 14-pos., with solder connection, freely configurable, straight, for a 6.0 mm conductor diameter ... 8.0 mm |

Tools

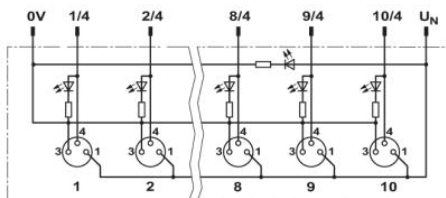
| | | |
|---------|-----------------|----------------------------------------------------------------------------------------------------------------------------------------------------------------------------|
| 1208461 | SAC BIT M8-D10 | Nut for assembling sensor/actuator cables with M8 connector and for M8 connectors with QUICKON fast connection technology, for 4 mm hexagonal drive |
| 1208474 | SACC BIT M8-D12 | Nut for assembling SACC M8 connectors for free assembly with longitudinal knurl, excluding M8 connectors with QUICKON fast connection technology, for 4 mm hexagonal drive |
| 1208487 | TSD 02 SAC | Torque screwdriver, with preset torque of 0.2 Nm and 4 mm hexagonal drive for M8 connectors |

Diagrams/Drawings

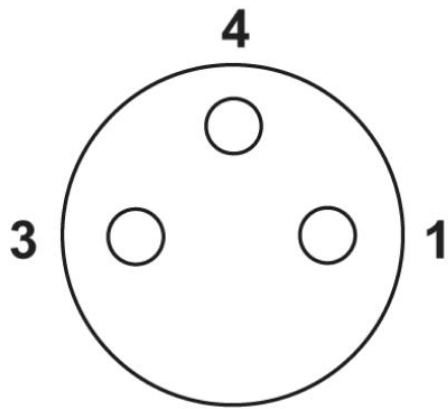
Dimensioned drawing



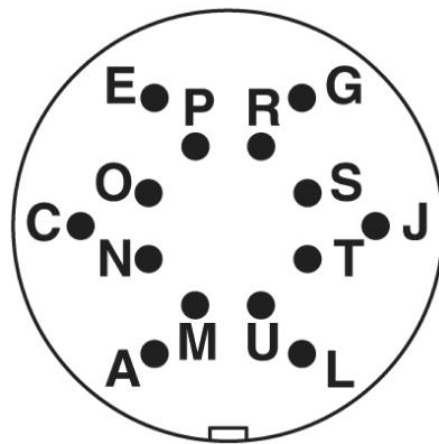
Circuit diagram



Schematic diagram



M8 slot, socket, 3-pos.



M16 plug connection pin, 14-pos.

Address

PHOENIX CONTACT Inc., USA
586 Fulling Mill Road
Middletown, PA 17057, USA
Phone (800) 888-7388
Fax (717) 944-1625
<http://www.phoenixcon.com>



© 2010 Phoenix Contact
Technical modifications reserved;