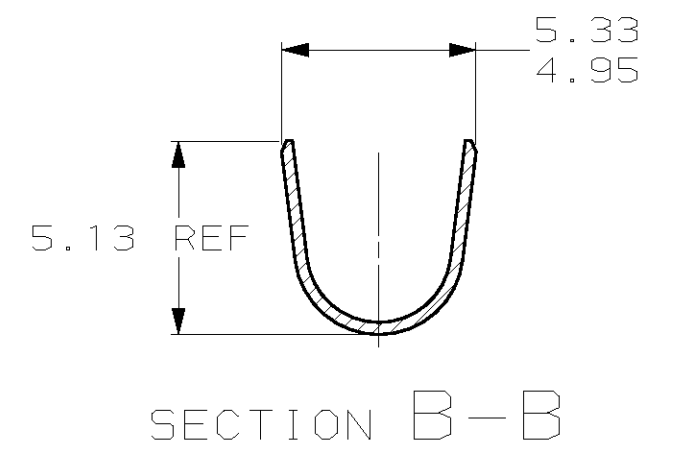
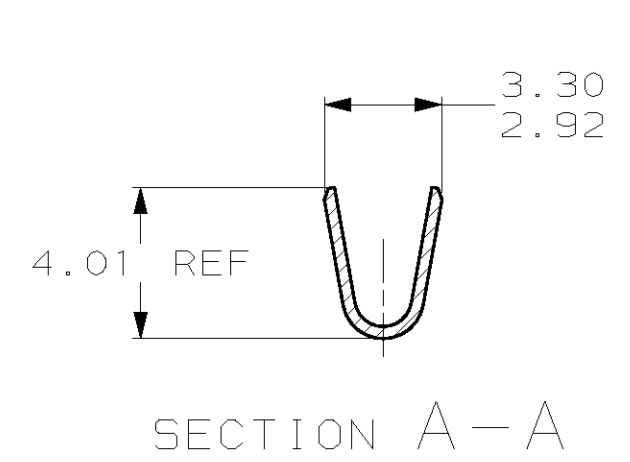
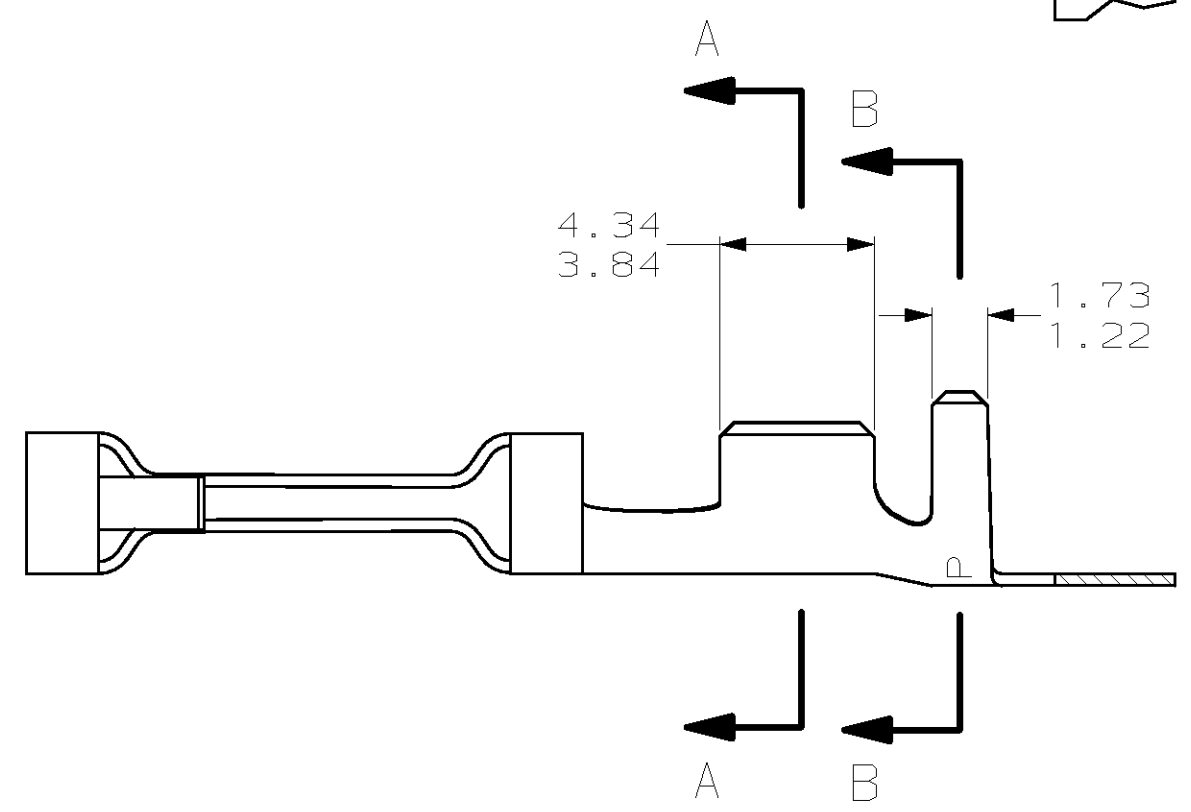
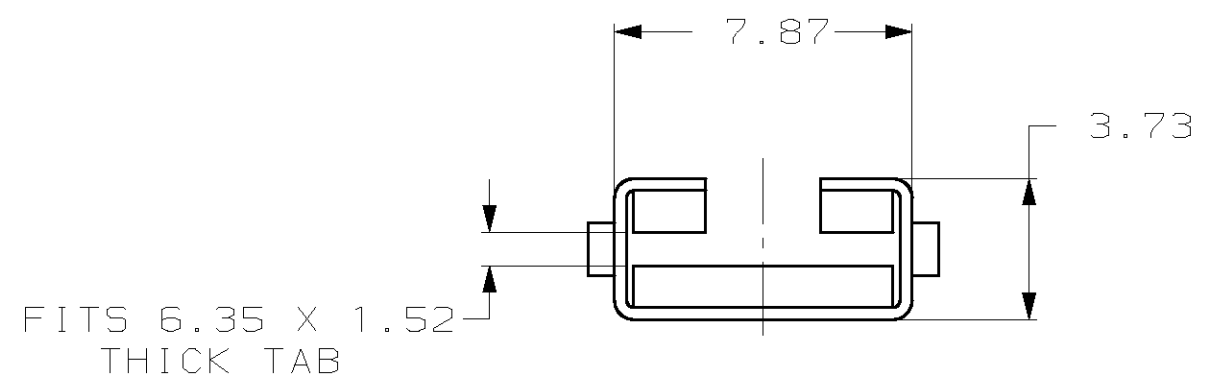
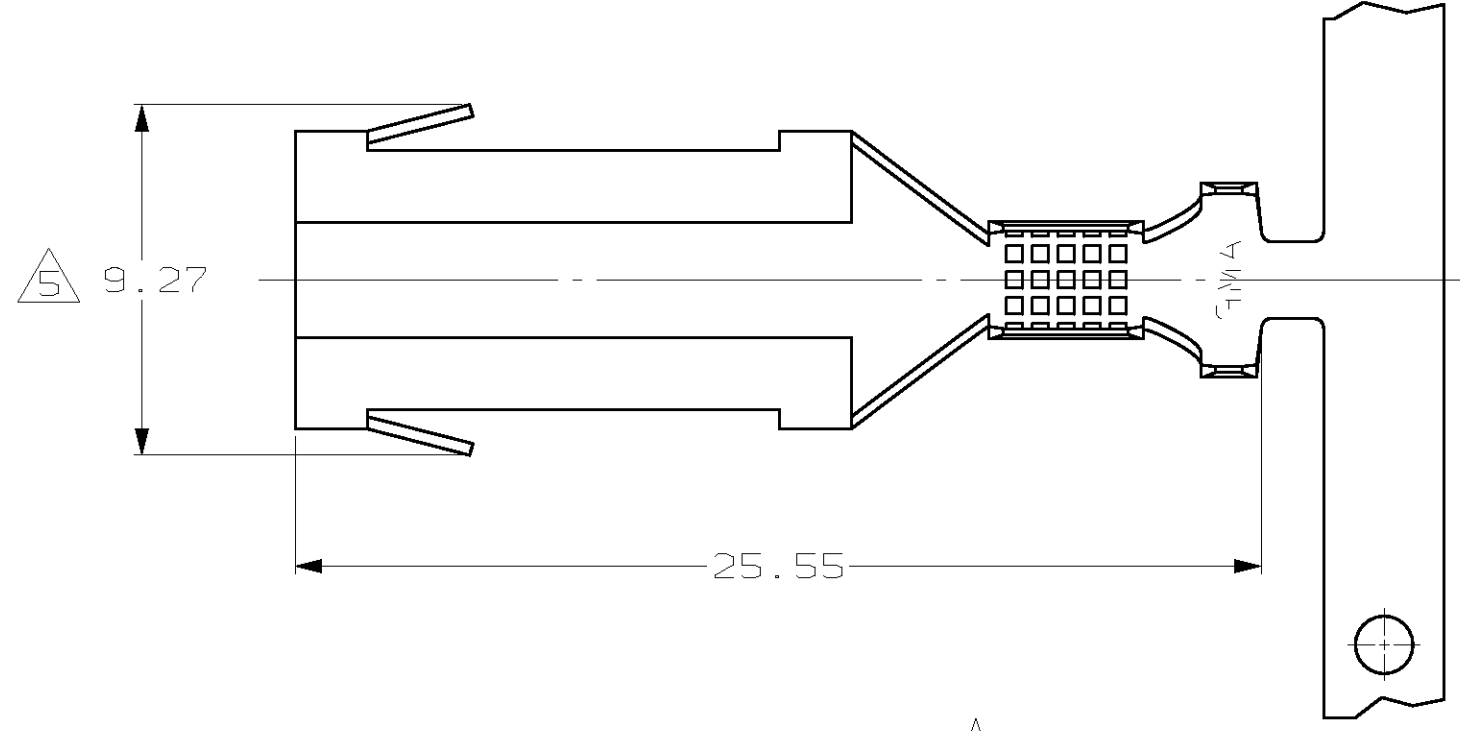


THIS DRAWING IS UNPUBLISHED. RELEASED FOR PUBLICATION
 (C) COPYRIGHT 19 BY AMP INCORPORATED. ALL RIGHTS RESERVED.

LOC		DIST		REVISIONS			
P	LTR	DESCRIPTION	DATE	DWN	APVD		
CM	52	A	REV & REDWN PER EC 0L30-0271-97	9-17-97	TB	RS	

1. THIS TERMINAL TO BE USED IN HOUSING 480289.
 2. WIRE RANGE: 0.8 - 2 MM² (18 - 14 AWG)
 3. INSULATION RANGE: 3.05 - 4.32
 4. APPLICATOR FEED: 19.30±0.08
- △ 8.76 MIN AFTER INSERTION INTO HOUSING.



60854-1
PART NUMBER

1.73	.068	4.01	.158	6.35	.250	-	-
1.52	.060	3.84	.151	5.33	.210	25.55	1.006
1.22	.048	3.73	.147	5.13	.202	19.30	.760
0.320	.0126	3.30	.130	4.95	.195	9.27	.365
0.13	.005	3.05	.120	4.34	.171	8.76	.345
0.08	.003	2.92	.115	4.32	.170	7.87	.310
MM	IN	MM	IN	MM	IN	MM	IN

CONVERSION TABLE

METRIC

THIS DRAWING IS A CONTROLLED DOCUMENT.

DIMENSIONS:	TOLERANCES UNLESS OTHERWISE SPECIFIED:	DWN	T. BECK	9-17-97
mm		CHK	R. SWING	9-17-97
		APVD	A. BEDDICK	12-03-97
		PRODUCT SPEC		
		APPLICATION SPEC		
MATERIAL	FINISH	WEIGHT		
0.320 BRASS	PRE-TIN			

AMP Incorporated
Harrisburg, PA 17105-3608

RECEPTACLE, TAB, SPECIAL HOUSINGS AND ASSEMBLIES

SIZE: A2 CAGE CODE: 00779 DRAWING NO: 60854 RESTRICTED TO: -

CUSTOMER DRAWING SCALE: 5:1 SHEET: 1 OF 1 REV: A