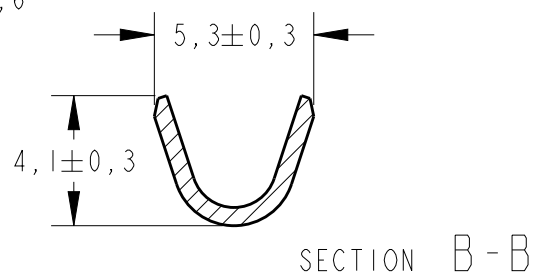
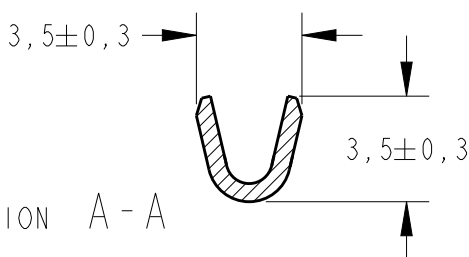
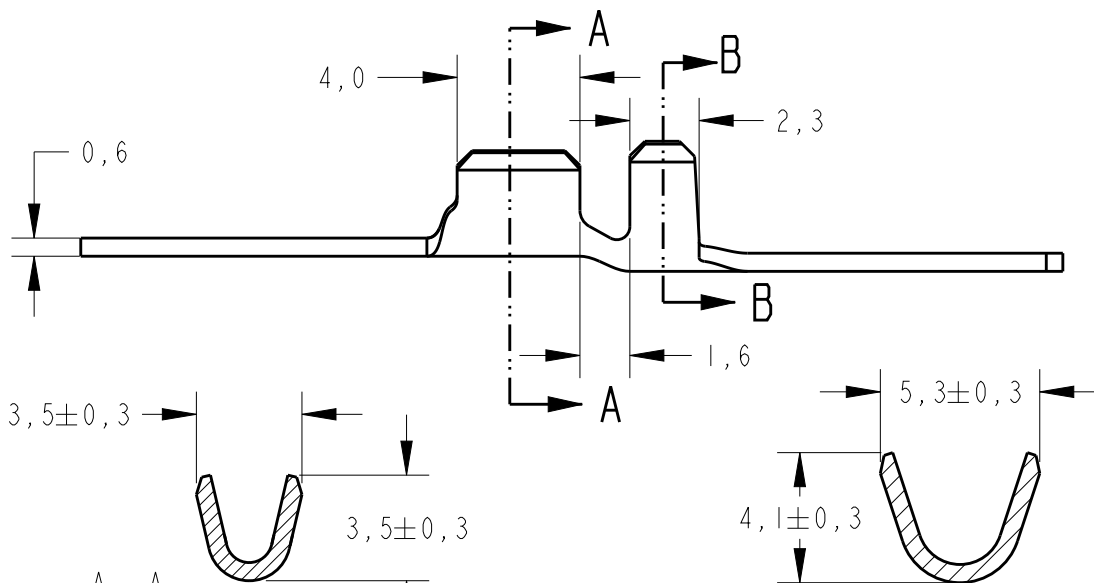
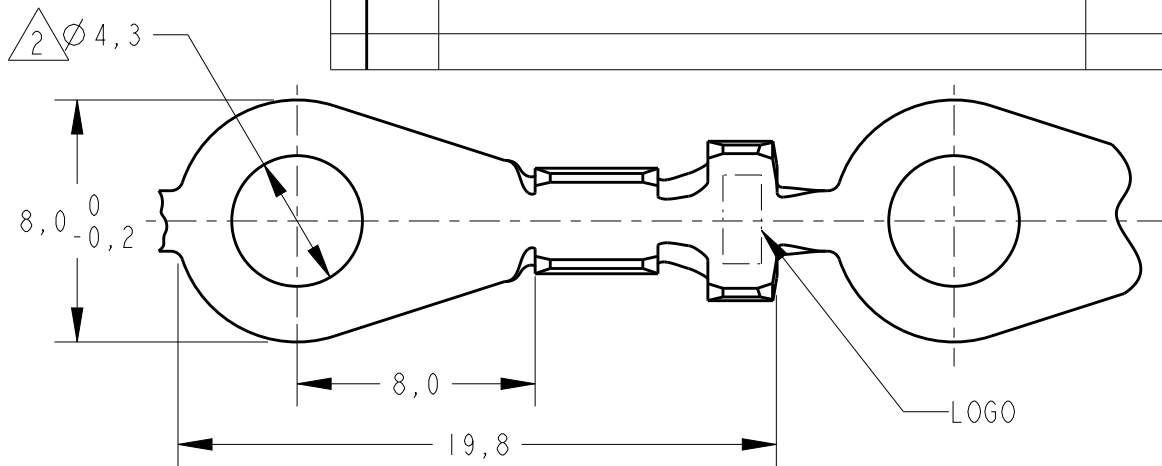


REVISIONS					
P	LTR	DESCRIPTION	DATE	DWN	APVD
	L2	REDRAWN AND REV. BY ECO16-005813	30JUN2016	HC	WLS



1 - REELED WITH PAPER INTERLEAVE

2 - $\varnothing 4,3$ mm. FOR M4 HOLE.
 3 - FOR STD CABLE: INS.
 CRIMPER "F" ($\varnothing 1,78-3,06$ mm.)
 FOR THIN WALL CABLE INS.
 CRIMPER "OV" ($\varnothing 1,3-1,6$ mm)

OBSOLETE

TIN-PLATED	BRASS	626028-4	1
—	PH. BRONZE	626028-3	
TIN-PLATED	BRASS	626028-2	
—	BRASS	626028-1	
FINISH	MATERIAL	PART NUMBER	

WIRE RANGE 0,5-1,5mm²

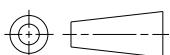
INSUL. RANGE $\varnothing 1,8-3,0$ mm

DIMENSIONS:

mm

TOLERANCES UNLESS OTHERWISE SPECIFIED:

0 PLC	±-
1 PLC	±0,4
2 PLC	±-
3 PLC	±-
4 PLC	±-
ANGLES	±-



DWN H.C. CANTERI 30JUN2016

CHK W.L. STEFANI 30JUN2016

APVD -

PRODUCT SPEC -

APPLICATION SPEC -

WEIGHT -

CUSTOMER DRAWING

MATERIAL SEE TABLE

FINISH SEE TABLE



TE Connectivity

NAME RING TONGUE

SIZE	CAGE CODE	DRAWING NO	RESTRICTED TO
A4	-	C-626028	-

CUSTOMER DRAWING

SCALE 4:1

SHEET 1 OF 1

REV L2

20

RELEASED FOR PUBLICATION

ALL RIGHTS RESERVED.

BY -

COPYRIGHT 20

©