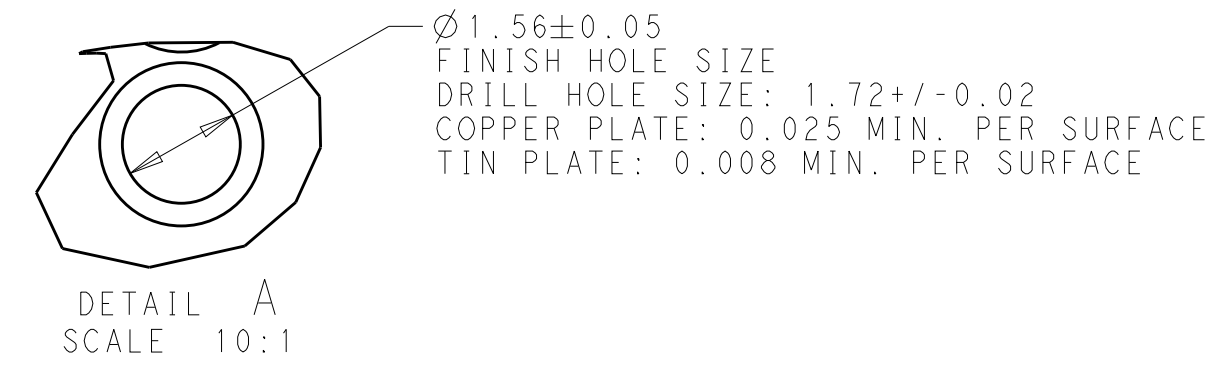
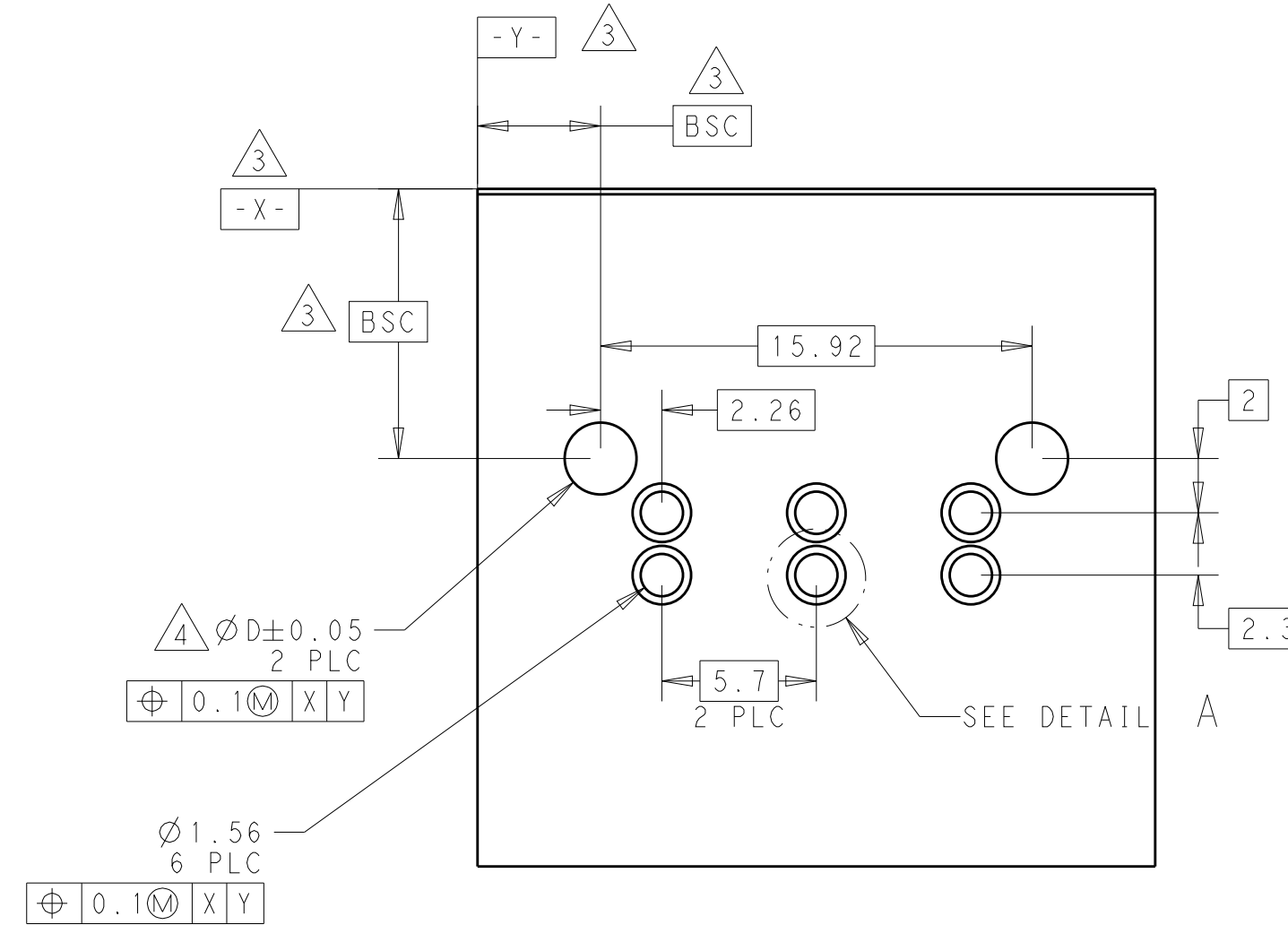
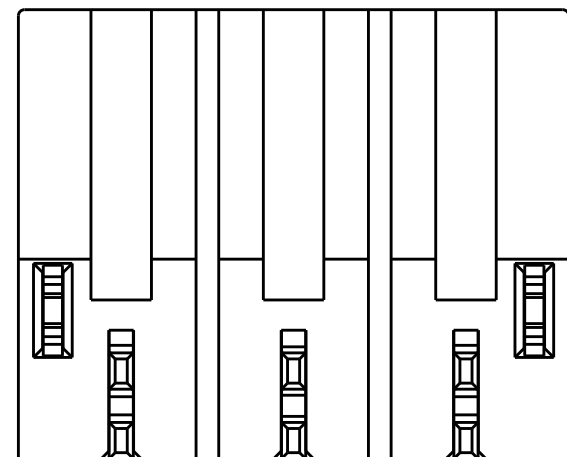
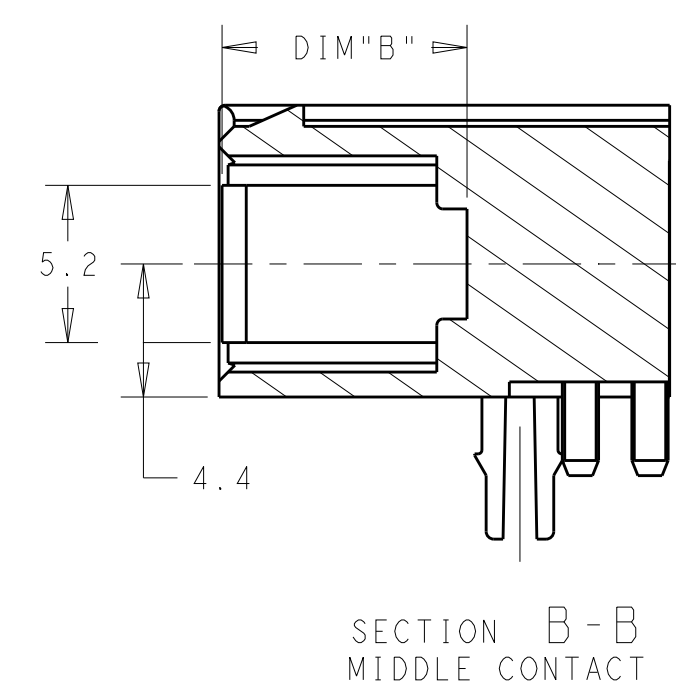
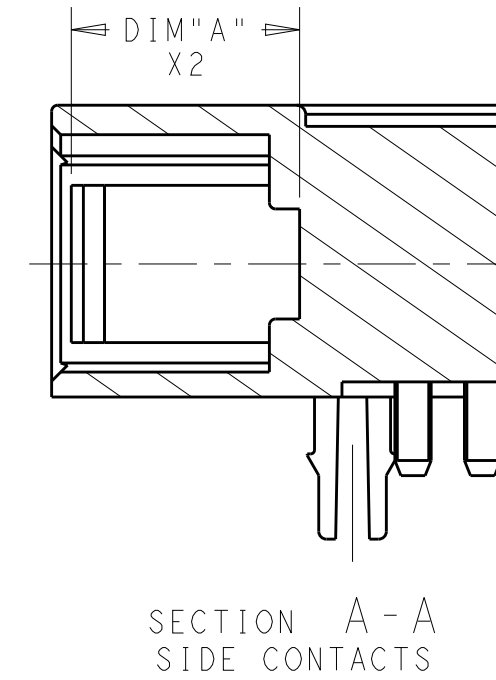
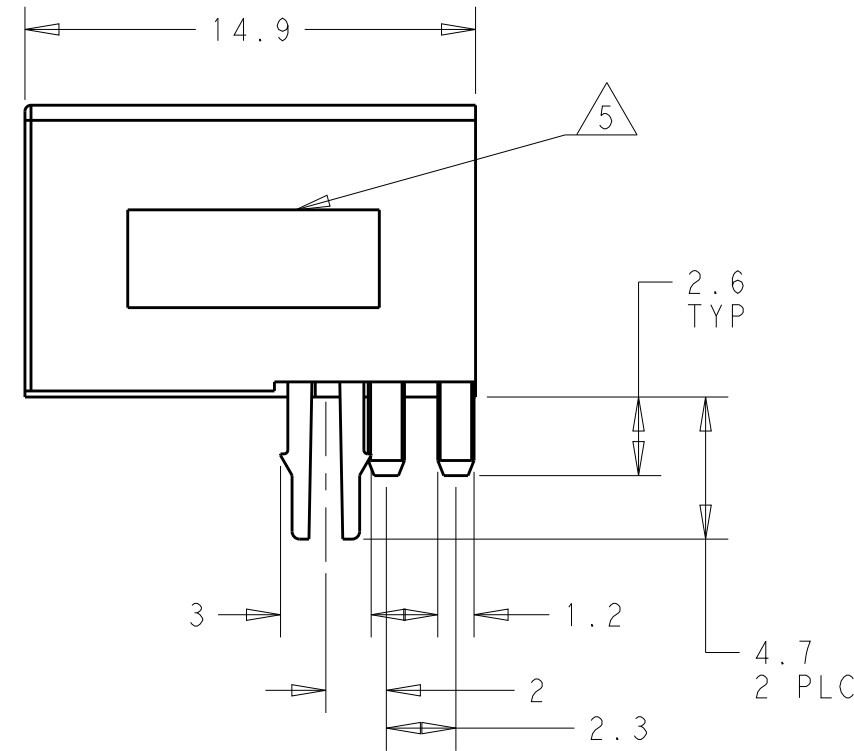
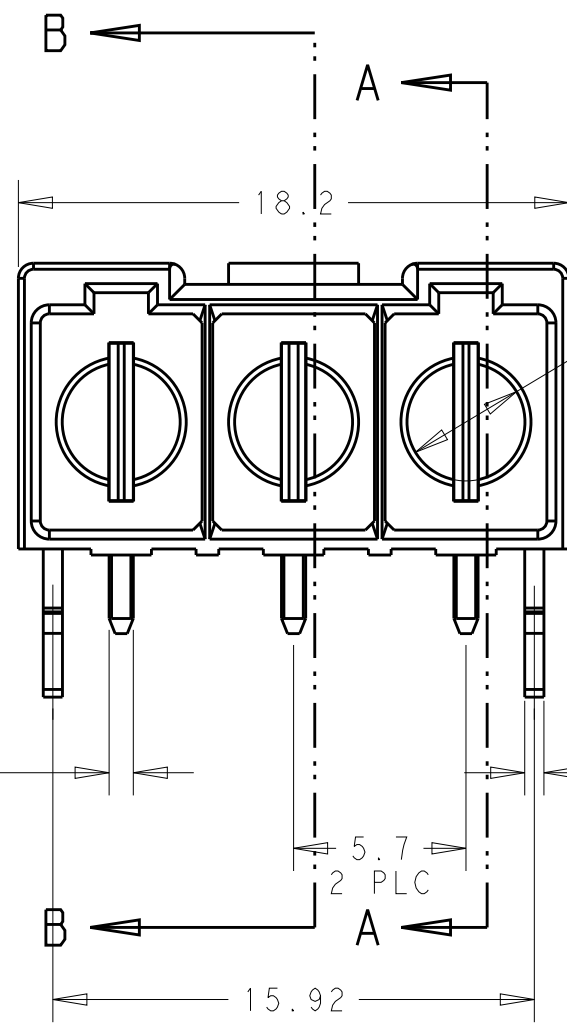
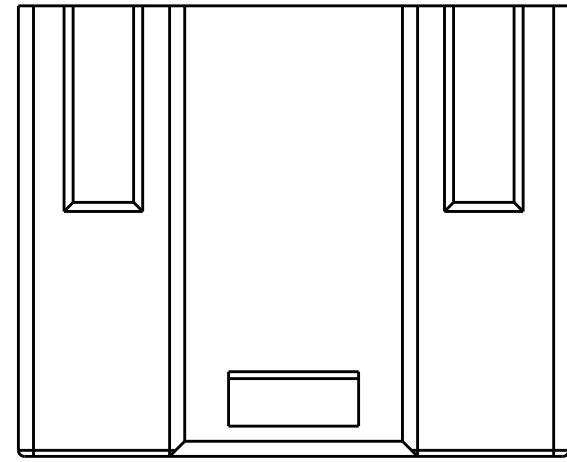


THIS DRAWING IS UNPUBLISHED. RELEASED FOR PUBLICATION 20
 © COPYRIGHT 20 BY - ALL RIGHTS RESERVED.

REVISIONS				
P	LTR	DESCRIPTION	DATE	APVD
A		REV PER ECR-16-006138	28APR2016	OL SZ
B		REV PER ECO-16-014059	09JAN2017	WY SZ



Ø 1.56
6 PLC
⊕ 0.1 M X Y

Ø 3.9
3 PLC

⊕ 0.1 M X Y

- 1 MATERIAL:
HOUSING: LCP BLACK, UL94V-0; CONTACT AND RETENTION CLIP: COPPER ALLOY
- 2 PLATING:
POWER CONTACT: 3UM SILVER OVER NICKEL PLATED;
RETENTION CLIP: TIN PLATED OVER NICKEL PLATED
- 3 DATUM AND BASIC DIMENSIONS ESTABLISHED BY CUSTOMER
- 4 UNPLATED THROUGH HOLE; THE RECOMMENDED HOLE SIZE IS 2.75MM OR 2.65MM.
- 5 "TE", PART NUMBER AND DATECODE TO BE MARKED IN AREA SHOWN

7.6	7.6	NO	2204529-2
8.1	7.55	YES	2204529-1
DIM "B"	DIM "A"	PROBE PROOF	PART NUMBER

THIS DRAWING IS A CONTROLLED DOCUMENT.

DIMENSIONS:	TOLERANCES UNLESS OTHERWISE SPECIFIED:	DWN ORANDO LI 03APR2015	TE Connectivity
mm	0 PLC ±0.25	CHK ZHAO SUNY 03APR2015	
	1 PLC ±0.1	APVD SUNY ZHAO 03APR2015	
	2 PLC ±0.05	PRODUCT SPEC 108-128027	
	3 PLC ±	APPLICATION SPEC 114-128029	NAME ELCON Mini, 3-position header right-angle, solder type
	4 PLC ±	WEIGHT -	SIZE A2
	ANGLES ±	CUSTOMER DRAWING	CAGE CODE -
	FINISH -	SCALE 4:1	DRAWING NO. C-2204529
MATERIAL TBD		SHEET 1 OF 1	RESTRICTED TO -
		REV B	