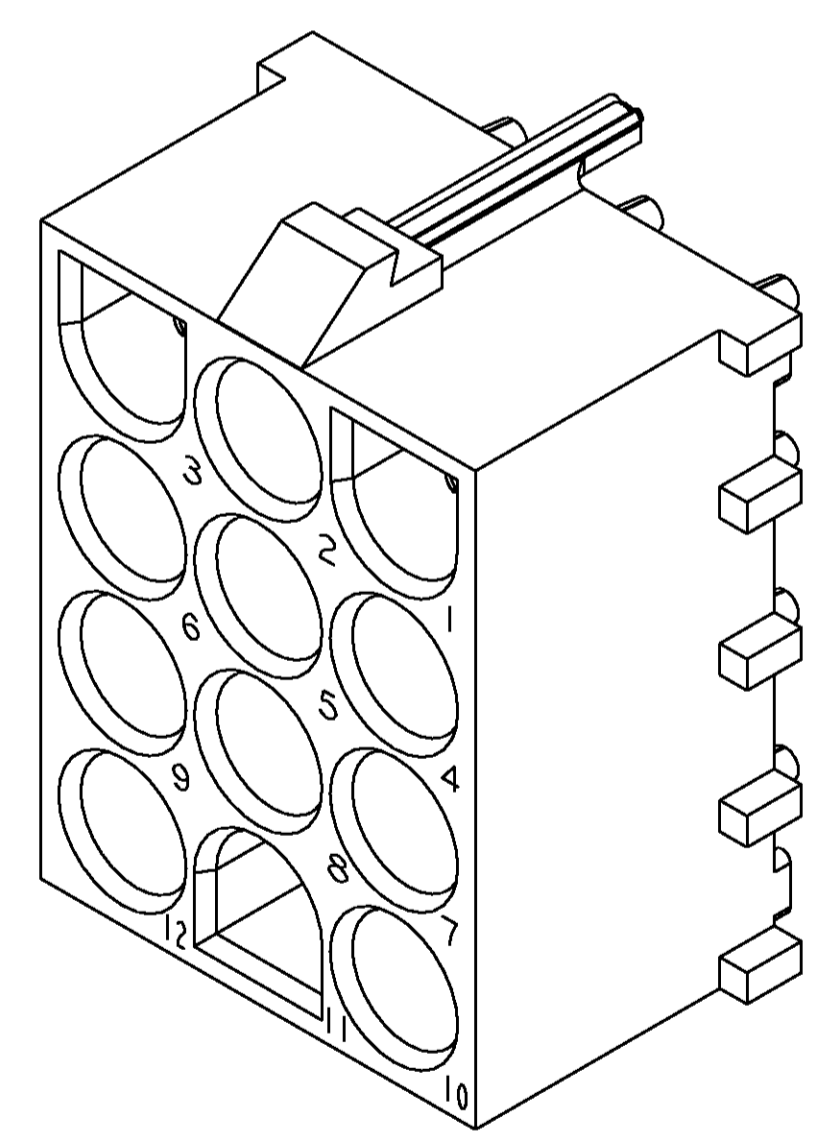
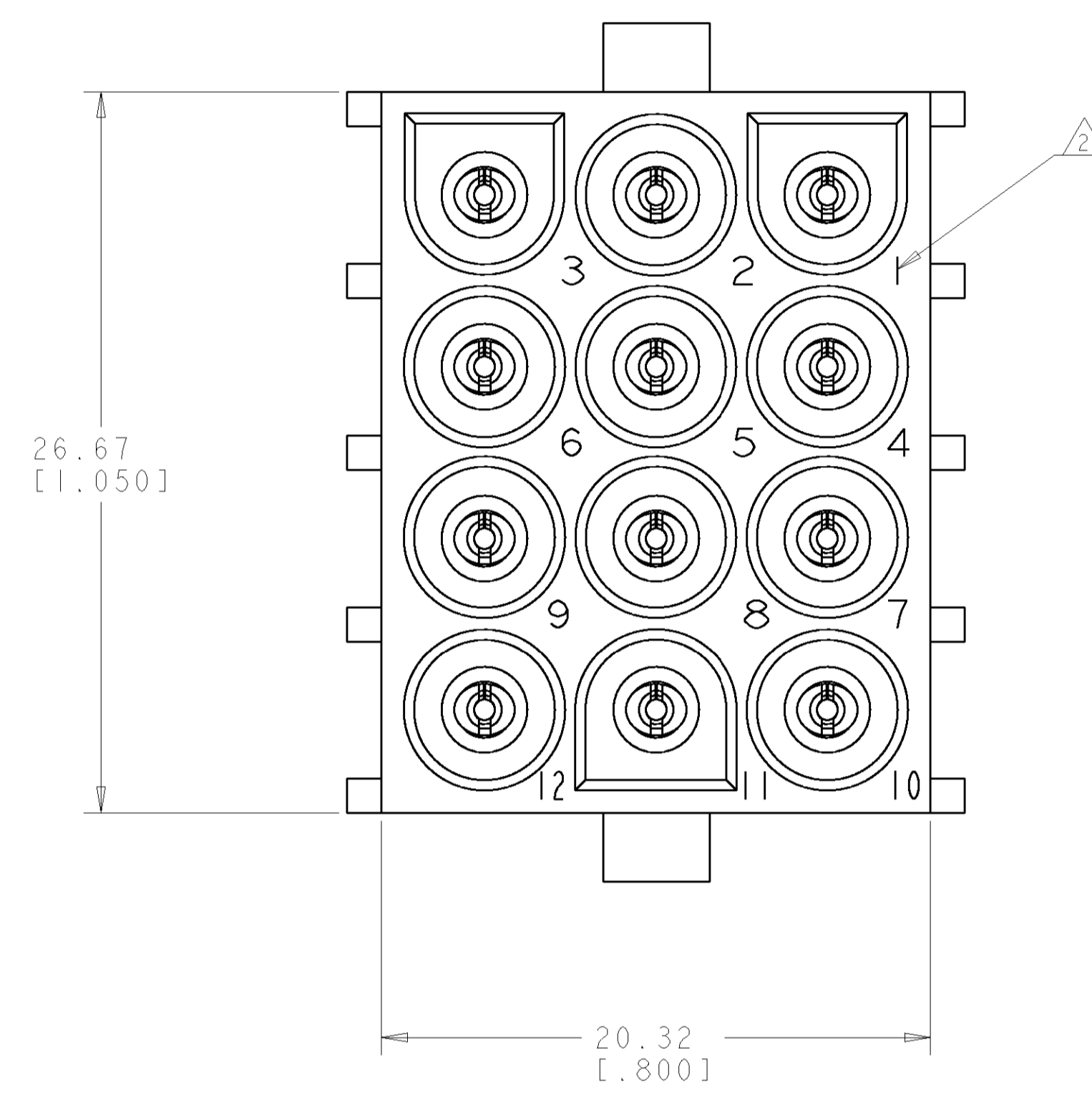
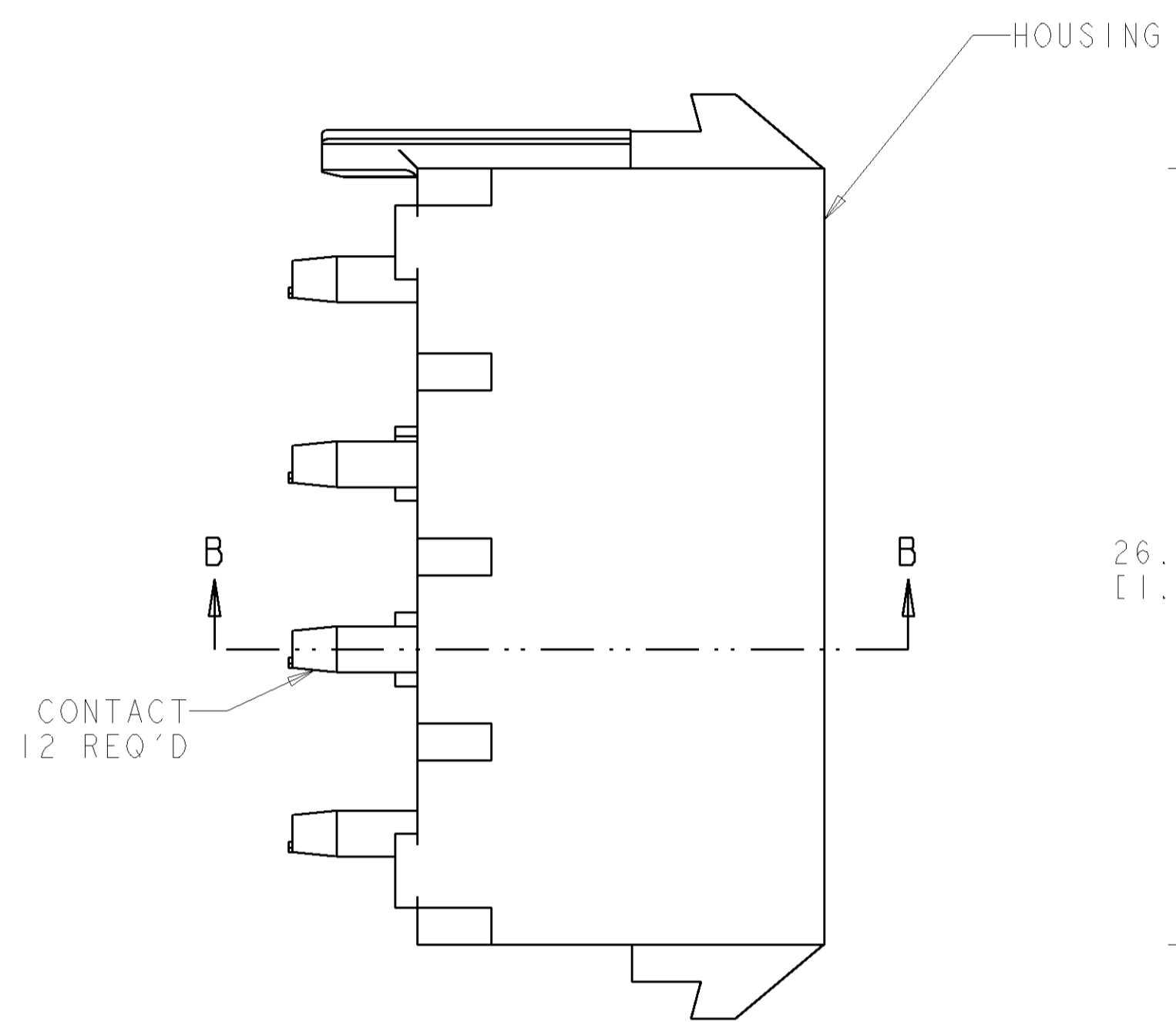
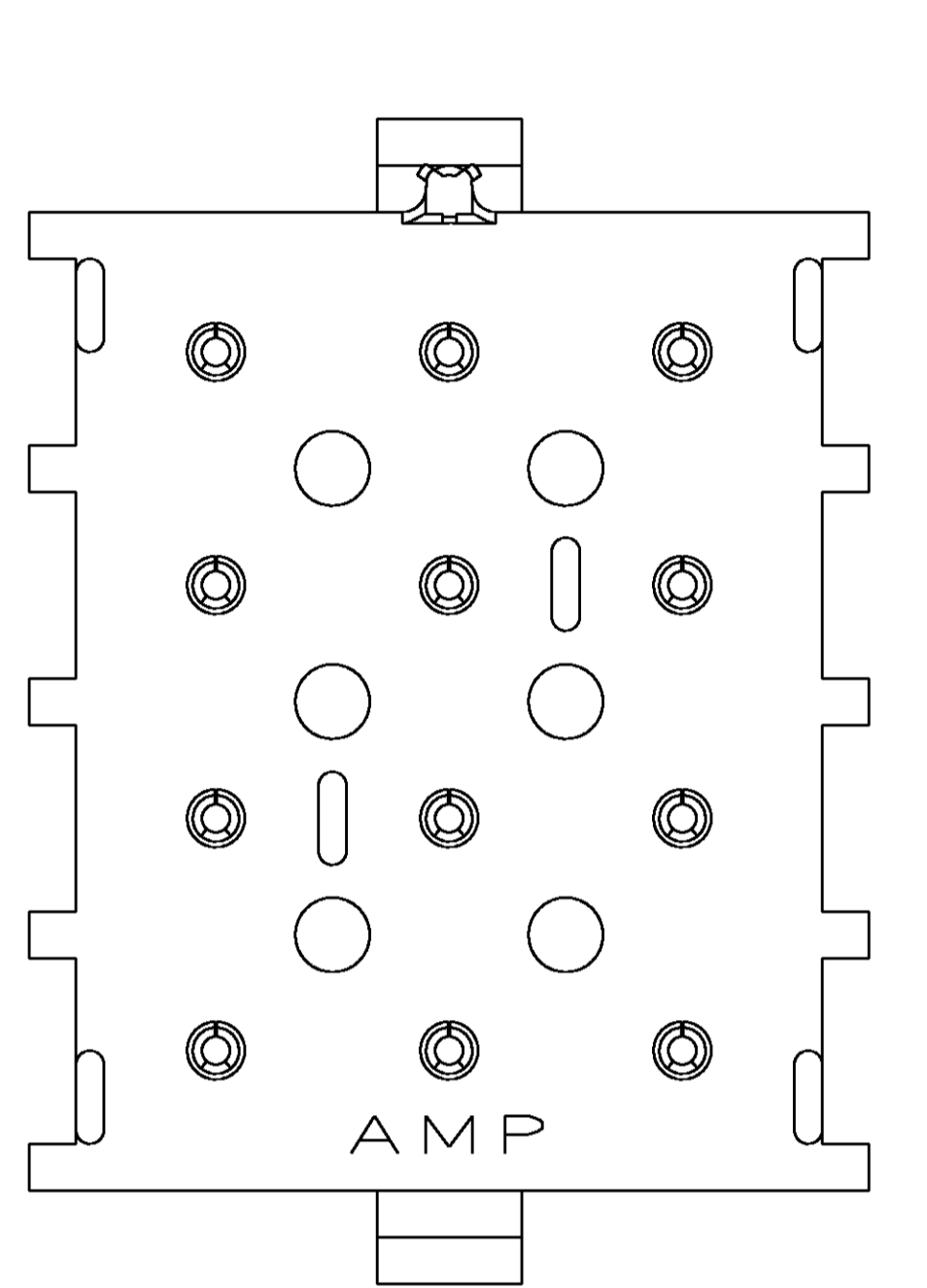
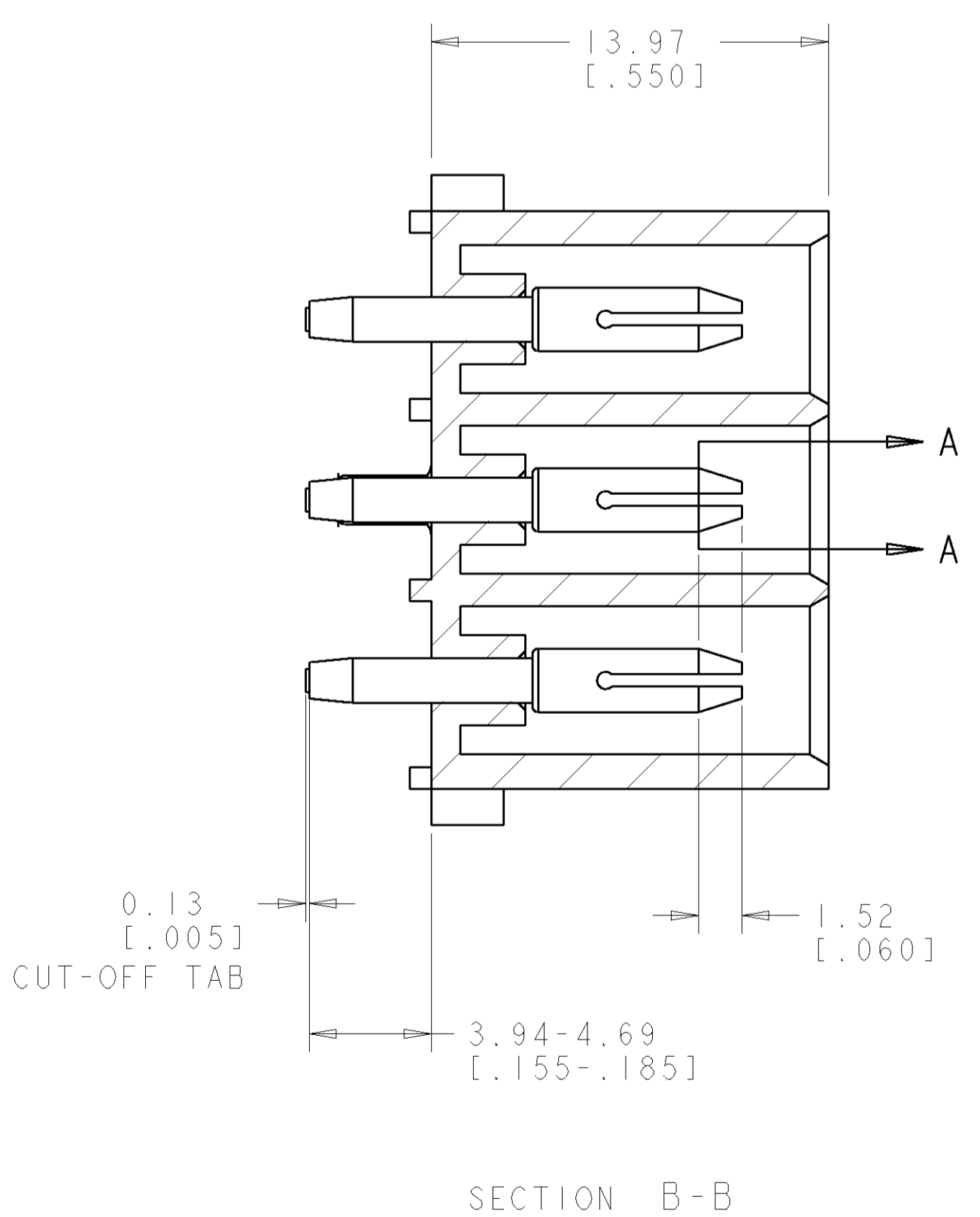
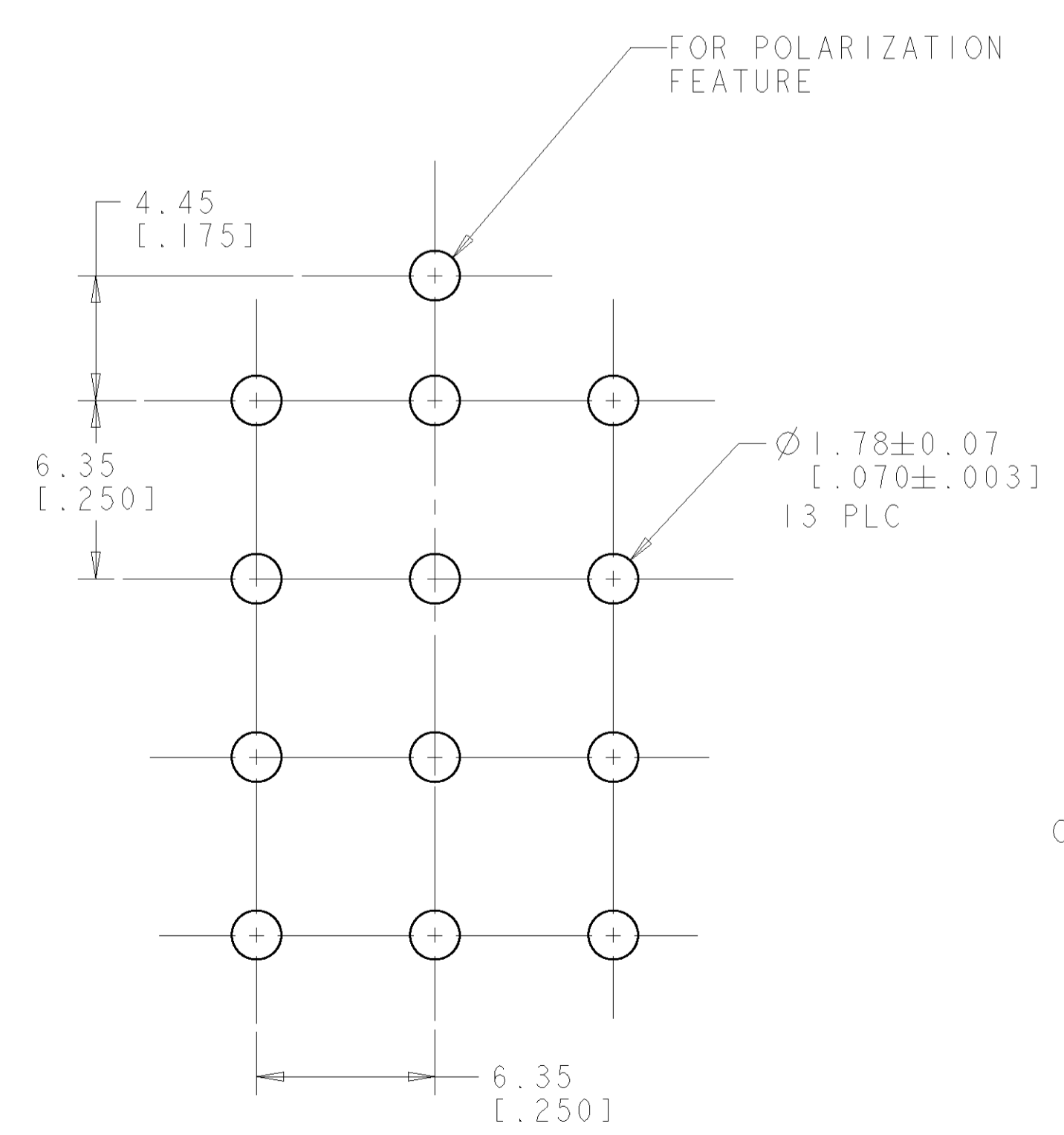


LOC	DIST	REV	DATE	BY	CHKD	APPD
CM	00	0	08-SEP-03	KW	SR	

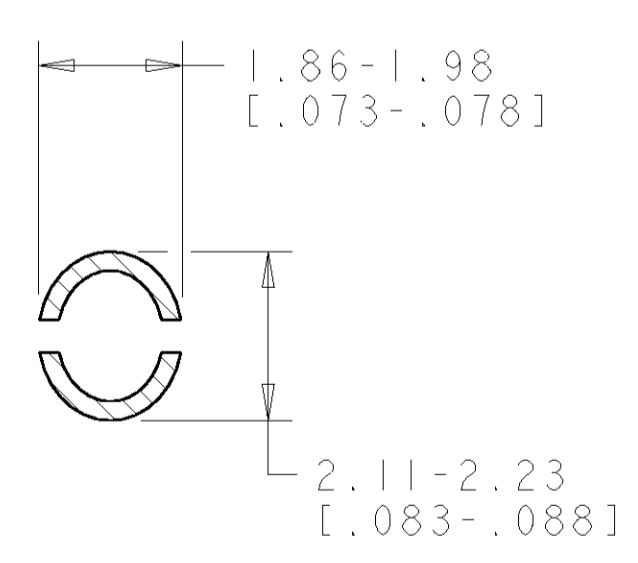
- PARTS COMPLY TO AMP SOLDERABILITY SPECIFICATION 109-11-3.
- CIRCUIT IDENTIFICATION CHARACTERS ARE ADJACENT TO THE INDICATED CAVITIES, BUT LOCATION AND ORIENTATION MAY DIFFER FROM PRINT.
- DIMENSIONS IN BRACKETS ARE IN INCHES.



3 DIMENSIONAL MODEL  
SCALE 4:1



SECTION B-B



SECTION A-A  
SCALE 10:1

PHOSPOR BRONZE, PRE-TIN PIN CONTACT MATERIAL AND FINISH	NYLON, UL94V-0, WHITE HOUSING MATERIAL AND COLOR	1586176-1 PART NUMBER
DIMENSIONS: mm [INCHES] TOLERANCES UNLESS OTHERWISE SPECIFIED: 0 PLC ± 1 PLC ± 2 PLC ±0.13(.005) 3 PLC ± 4 PLC ± ANGLES 40°±0°		DWN R. WHITAKER 08-SEP-2003 CHK S. RIDGILL 08-SEP-2003 APPD S. RIDGILL 08-SEP-2003 PRODUCT SPEC APPLICATION SPEC WEIGHT MATERIAL SEE TABLE FINISH SEE TABLE CUSTOMER DRAWING
METRIC		Tyco Electronics Harrisburg, PA 17105-3608 NAME: PIN HEADER ASSEMBLY, POLARIZED, 12 CIRCUIT, W/O DRAIN HOLES, UNIVERSAL MATE-N-LOK™ SIZE: A1 CAGE CODE: 00779 DRAWING NO: C=1586176 SCALE: 5:1 SHEET: 1 OF 1 REV: 0